

PRESIDENT

RANDY II MOBILE PORTABLE

- ✓ AM/FM
- ✓ Roger Beep
- ✓ Low/High power option
- ✓ Squelch Automatic
- ✓ Multi Norme Europene

* **5ani**
GARANȚIE

RANDY II M Mobile version

Livrat cu :



Adaptor cu conector pentru antena CB si mufa bricheta

360



RANDY II P Portable version

- ✓ Baterie Litiu-ion cu durata lunga de viata
- ✓ Indicator baterie

Accesorii :



Baterie Litiu-Ion
2100 mA/h - 7.4 volti



Incarcator
110/220 V

Antena cauciuc (30 cm)

360



details may differ

* Garanție de 5 ani se aplică numai la produsele achiziționate împreună cu antenă originală President, cu dovada a achiziției! În alte cazuri, se aplica doar garanția legală de fiecare țară de achiziție va fi aplicata.

PRESIDENT
ELECTRONICS

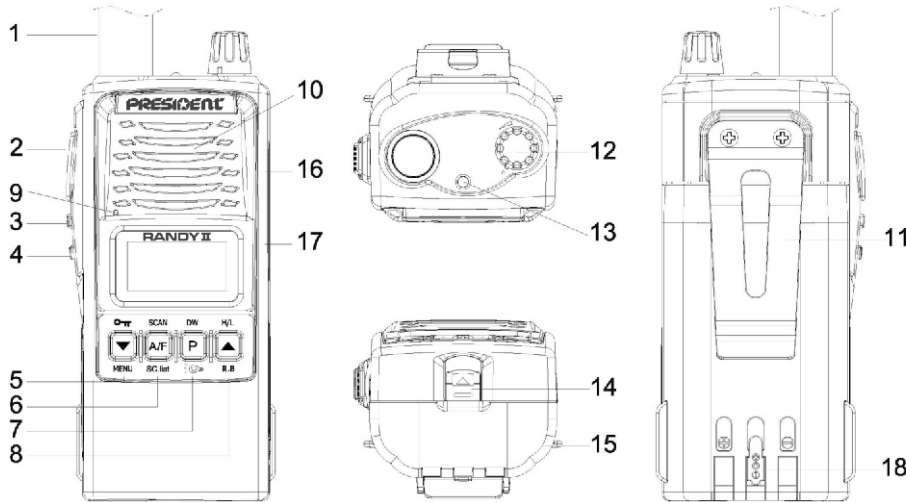
str. Antiaeriana nr.71, sector 5, Bucuresti
tel: +40 (21) 335 4488 · fax: +40 (21) 335 4477
vanzari@president-electronics.ro · www.president-electronics.ro



CE

N°1
CB
PRESIDENT

100%
RoHS
EU NORM



- 1) **ANTENNA:** TNC type connector
- 2) **PTT:** "Push to Talk" switch
- 3) **F:** multi functions button
- 4) **SQ:** Squelch On/Off
- 5) **LOCK / ▼ / MENU:** Key lock / Decrease a channel / Enter MENU when F is held-pressed.
- 6) **SCAN / A/F / Sc. list:** Scan function / AM/FM / Edit the Scan Channel List
- 7) **DW / P / Lamp:** Dual Watch / Priority Emergency channel / LCD backlight
- 8) **H/L / ▲ / R.B :** TX power switch / Increase Channel / Roger Beep
- 9) **MICROPHONE:** Internal microphone
- 10) **SPEAKER:** Internal speaker
- 11) **BELT CLIP**
- 12) **POWER SWITCH & VOLUME:** On/Off setting and volume adjusting
- 13) **LED INDICATOR:** The indicator lights up red when transmitting and battery capacity (Voltage) is low. The indicator lights up green when receiving or squelch is off.
- 14) **BATTERY/ADAPTER LOCK**
- 15) **BATTERY** (on P portable configuration) / **ADAPTER** (on M mobile configuration)
- 16) **EXTERNAL MICROPHONE JACK**
- 17) **EXTERNAL SPEAKER JACK**
- 18) **CHARGING INPUT** (on P portable configuration only)

Optional Accessories

Rubber antenna (30 cm)
N° ACMS301



Lithium-ion battery
2100 mAh - 7.4 volts
N° ACMS302

Wall charger
110/220 V
N° ACMS303



Adapter with antenna connector and cigarette lighter plug
N° ACMS304



1292/09-12 C0279b

1) GENERAL

- Channels : 40
- Modulation modes : AM / FM
- Frequency ranges : from 26.965 MHz to 27.405 MHz
- Antenna impedance : 50 ohms
- Power supply : 13.2 V (Randy II M)
7.4 V (Randy II P)
- Dimensions (in mm) : 54 (W) x 35 (D) x 120 (H)
without accessories
- Weight : 319 g with accessories (Randy II M)
357 g with accessories (Randy II P)
- Accessories supplied : Adapter with antenna connector and cigarette lighter plug (Randy II M)
Battery, rubber antenna and wall charger (Randy II P)
- Filter : ANL (Automatic Noise Limiter)

2) TRANSMISSION

- Frequency allowance : +/- 200 Hz
- Carrier power : 1 ~ 3 W AM / 1 ~ 4 W FM
- Trans. interference : inferior to 4 nW (- 54 dBm)
- Audio response : 300 Hz to 2.5 KHz
- Emitted power in the adj. channel : inferior to 20 µW
- Microphone sensitivity : 7 mV
- Drain : 1,8 A (with modulation power Hi)
- Modulated signal dist. : 2 %

Specifications

3) RECEPTION

- Maxi. sensitivity at 20 dB sinad : AM: 0.5 µV - 113 dBm
FM : 0.3 µV - 116 dBm
- Frequency response : 300 Hz to 2.5 kHz
- Adjacent channel selectivity : 60 dB
- Maximum audio power : 1 W
- Squelch sensitivity : min : 0.2 µV - 120 dBm
max : 1 mV - 47 dBm
- Internal speaker : 8 ohms, 1 W



Multi norms configuration

