

SAFE DRIVE RADIO !

M-60 PLUS

MULTI STANDARD PROGRAMMABLE
27 MHz CB MOBILE TRANSCEIVER

OWNER'S MANUAL
MANUALE DI ISTRUZIONI



KEEP YOUR HANDS ON THE STEERING
WHEEL WHILE DRIVING !

INTEK®

Declaration of Conformity

EC Certificate of Conformity
(to EC Directive 2006/95, 2004/108, 99/5)

DECLARATION OF CONFORMITY

With the present declaration, we certify that the following products :

INTEK M-60 PLUS

comply with all the technical regulations applicable to the above mentioned products in accordance with the EC Directives 2006/95/EC, 2004/108/EC, 99/5/EC.

Type of product : CB Transceiver

Details of applied standards : EN 300 433-1/-2, EN 300 135-1/-2
EN 301 489-1, EN 301 489-13
EN 60065

Manufacturer : **INTEK S.R.L.**
Via G. Marconi, 16
20090 Segrate, Italy
Tel. 39-02-26950451 / Fax. 39-02-26952185
E-mail : intek.com@intek-com.it

Notified Body : EMCert Dr. Rasek
Boelwiese 5, 91320 Ebermannstadt
Germany
Identification Number : 0678

Contact Reference : Armando Zanni
Tel. 39-02-26950451 / Fax. 39-02-26952185
E-mail : intek.com@intek-com.it

Segrate, 24/02/2012

dr. Vittorio Zanetti
(General Manager)

NOTICE !

It is recommended to carefully read this owner's manual before using the product. This will also help the user to prevent using the radio in violation of the regulations valid in the country where the product is used, as well as to avoid any possible interferences with other services.

CE 0678



Index - Introduction	1
Unpacking and checking parts	2
Supplied Accessories	2
Controls, Indicators and operation	2-8
Installation	9
Frequency bands table - User Information	10
Frequency band selection / programming	11
Table of restrictions on the use of CB transceivers	11
Specifications	12
Table of restrictions on the use of CB transceivers	I
PCB - Main Board & Front Board	II-III
Diagram	IV-V
Block Diagram	VI-VII
Notes	VIII-IX

NOTICE !

Before using this transceiver, please check that the radio has been programmed on the frequency bands, specifications and operating modes allowed by the regulations valid in the country where the product is used. If not, please proceed to modify the frequency band programming, as it is described in this owner's manual. This transceiver is factory pre-programmed on the CE European frequency band (CEPT 40CH FM 4W).

Congratulations!

Congratulations for selecting and purchasing an INTEK quality product. This transceiver includes a number of advanced functions and systems, therefore it is definitely necessary to carefully read this owner's manual before using the radio. With a correct use of the product in accordance with the operating method described in this manual, the product will offer a trouble free use for many years. INTEK is constantly engaged to develop and provide quality products meeting the customers requirements, however any suggestion or comment on this product that might help us to improve quality are warmly welcome. INTEK M-60 PLUS is a CB transceiver using advanced hardware and software design, it includes a special multi-standard programmable circuit, which allows to program the specifications of the radio (frequency bands, operating modes, transmitter power) in compliance with the regulations valid in the various European countries. Therefore this product can be used in any country of the European Community. The radio is delivered factory pre-programmed on the CE European frequency band (CEPT 40CH FM 4W).

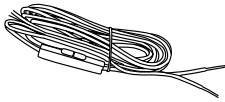
Unpacking and Checking Parts - Supplied Accessories

Unpacking and checking parts

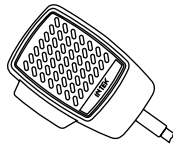
Carefully unpack the product. Please identify all the parts listed below, before wasting the packaging. If any part is missing or if the packaging shows any damage, please contact your dealer immediately.

Supplied accessories

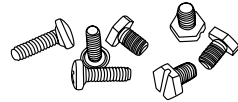
- DC power cord with fuse holder and fuse, integrated with the transceiver
- Standard microphone with 4-pin connector
- Car mounting bracket
- Car mounting bracket accessories (hardware, knobs, etc.)
- Microphone bracket
- Owner's manual



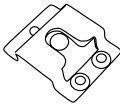
DC power cord with fuse holder and fuse, integrated with the transceiver



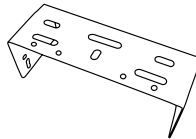
Standard microphone



Hardware



Microphone bracket

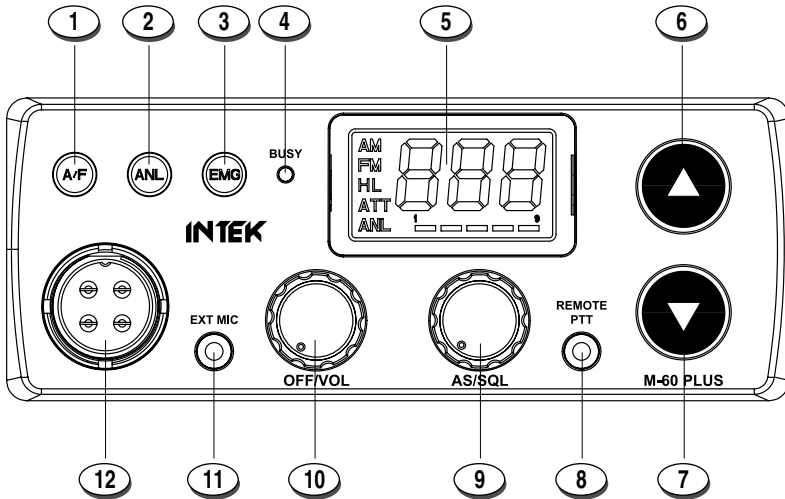


Car mounting bracket



Owner's manual

FRONT PANEL



1. A/F Key

This key allows to select the AM or FM operating mode, in both TX and RX. The AM/FM operating mode selection is possible only if it is allowed by the programmed frequency band, otherwise the AM/FM selection is not possible.

2. ANL Key

Press the ANL key (3) to enable the ANL (Automatic Noise Limiter) function, in order to reduce electric or electromagnetic noise or interference on the used channel. The ANL icon (D) is lighted to confirm that the ANL function is enabled. Press again the ANL key (2) to disable the function.

3. EMG key (Emergency Channels)

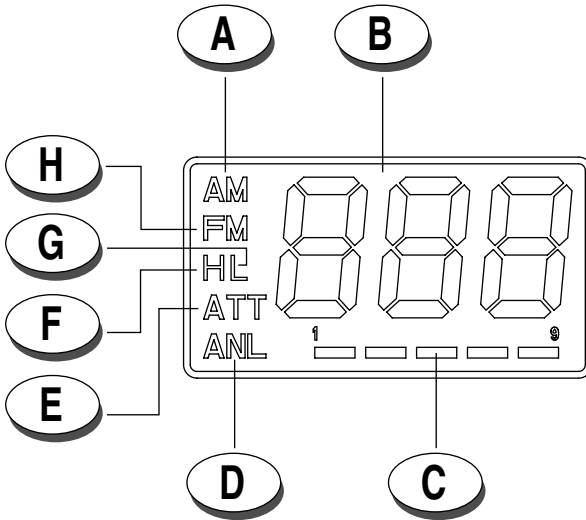
This key allows quick access to one of the two pre-programmed emergency channels (CH9 or CH19). Each time this key is pressed, radio will select CH9, then CH19, then again the normal operating channel.

4. **BUSY Indicator.** This green color LED indicator is lighted when radio is receiving one communication and the squelch is open (radio is not in the automatic mute mode).

5. LCD Display

Large size LCD display with blue color backlight function for best readability in darkness. It indicates the operating channel number, the operating mode, all the programmed settings and all the enabled functions.

LCD DISPLAY



A. AM Icon

The AM icon (A) is lighted when radio has is set to the AM (Amplitude Modulation) operating mode.

B. Channel Number

It indicates the operating channel number or the frequency band ID code.

C. S/Rf Digital Meter

The digital 5-bar S/Rf METER (C) indicates the strength of the received signal (from S0 to S9+30) in the receive mode and the transmitter RF output power (0 to 4W) in the transmit mode.

D. ANL Icon. The ANL Icon (D) is lighted when the ANL (Automatic Noise Limiter) is enabled.

E. ATT Icon. Not available on this model.

F. H Icon

The H Icon (F) is lighted when the transmitter is in HIGH POWER mode (4W).

G. L Icon

The L Icon (G) is lighted when the transmitter is in LOW POWER mode (1W).

H. FM Icon

The FM icon (H) is lighted when radio is set to the FM (Frequency Modulation) operating mode.

6. Up Key. Press to select the operating channel upward. By keeping a key pressed, the quick channel selection mode will be enabled.

7. Down Key. Press to select the operating channel downward. By keeping a key pressed, the quick channel selection mode will be enabled.

8. REMOTE PTT Jack

Connect here the optional Remote PTT Control (RPT-1). Refer to the section “TRANSMITTING MODES” at page 8.

9. AS/SQL Control

SQUELCH CONTROL (SQUELCH manual adjustment)

The SQUELCH control allows to silent the receiver by cutting the background noise, when no signals are received. Turn the knob clockwise until the background noise is cut. Turn the knob counter clockwise (SQUELCH opening) in order to listen to the weakest signals.

AS CONTROL (SQUELCH fixed setting)

The AS function allows to automatically silent the receiver, avoiding the SQUELCH manual adjustment. A fixed SQUELCH threshold is factory pre-set. To enable the fixed SQUELCH function, turn the knob fully counter clockwise to the AS position, until a click noise is heard.

10. OFF/VOL Control

Use this knob to switch radio ON and OFF, as well as to adjust the receiver volume to the desired level. To adjust the receiver volume in case no signals are received on the operating channel, open the SQUELCH and then adjust the receiver volume using the background noise as a reference.

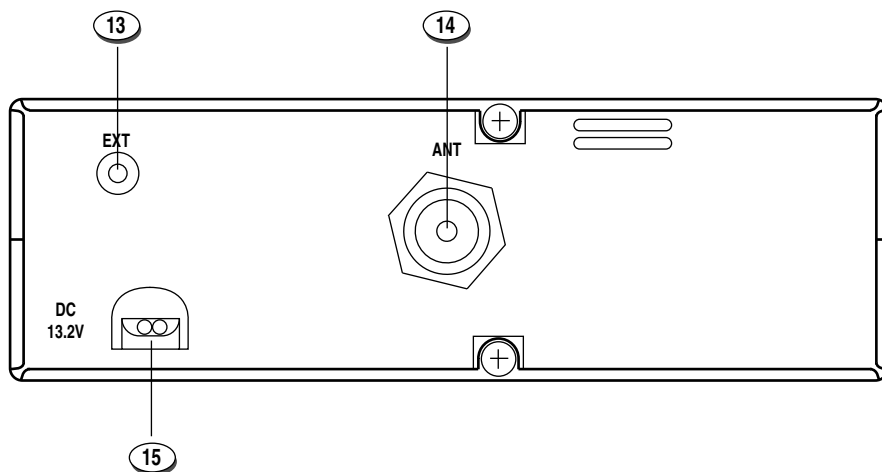
11. EXT MIC Jack

Connect here the optional external microphone ESM-444. Refer to the sections “TRANSMITTING MODES” at page 8.

12. Microphone Connector

Connect the standard 4-pin microphone to this connector and turn the connector ring to lock it.

REAR PANEL



13. EXT (External Speaker) Jack

This jack is for connecting an external speaker (optional).

14. ANTENNA Connector

Antenna connector. Refer to the sections INSTALLATION OF THE ANTENNA.

15. 13.2VDC POWER CORD

13.2VDC power cord input.

IMPORTANT !

Do never attempt to open the cabinet of the transceiver. No user serviceable parts inside. Internal modifications or tampering may cause damage to the product, modify its technical specifications and will void warranty rights. If service or repair are required, please go to an authorised service centre or specialized technician.

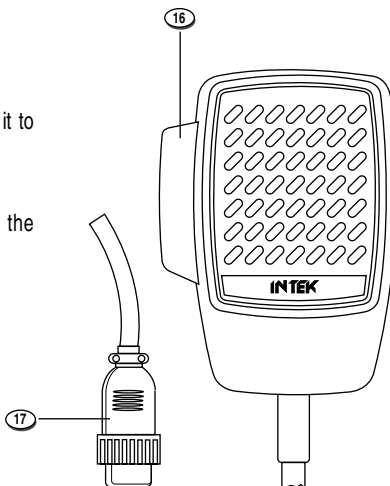
MICROPHONE WITH 4-PIN CONNECTOR

16. PTT (Push-to-Talk) Key

Transmitter key. Press the PTT key (16) to transmit and release it to return to the receive mode.

17. MICROPHONE Plug

4-pin microphone connector with locking ring. Connect it to the microphone connector (12) on the front panel of the radio.



REMOTE PTT CONTROL RPT-1 (OPTIONAL)

18. PTT (Push-to-Talk) Key

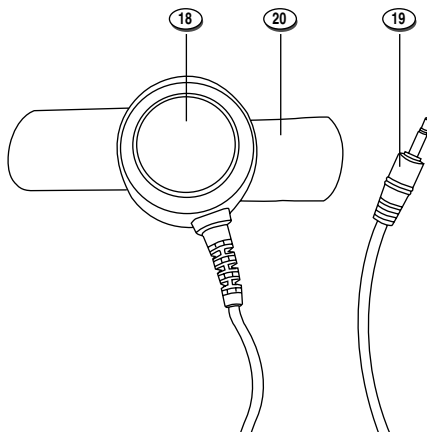
Transmitter key. Press the PTT key (18) to transmit and release it to return to the receive mode.

19. Remote PTT Jack

Connect this jack to the REMOTE PTT socket (8) on the front panel of the radio.

20. Velcro Strap

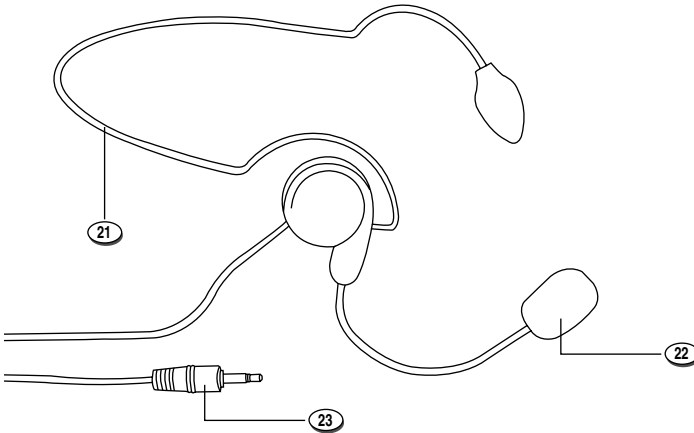
Velcro strap for installing the remote PTT control in a convenient location, such as on the speed shift lever or on the steering wheel.



EXTERNAL MICROPHONE ESM-444 (OPTIONAL)

21. Neck Bracket
22. Microphone
23. Microphone Jack

Connect this jack to the EXT MIC socket (11) on the front panel of the radio.



TRANSMITTING MODES

OPERATION IN PTT MODE WITH STANDARD MICROPHONE (supplied)

Connect the 4-pin standard microphone to the microphone connector (12). Press and hold the PTT button (16) to transmit and speak into microphone. Release the PTT button (16) to return to receive mode.

OPERATION IN PTT MODE WITH EXTERNAL MICROPHONE (optional) AND REMOTE PTT CONTROL BOX (optional)

The optional external microphone (ESM-444) and remote PTT control Box (RPT-1) allow operating the radio in total comfort and safety, without using the standard microphone that may be disconnected from the radio and removed. Connect the microphone jack (23) into the EXT MIC socket (11). Connect the remote PTT control jack (19) to the REMOTE PTT socket (8). Install the remote PTT control in a convenient location, such as on the speed shift lever or on the steering wheel, using the velcro strap (20), for your most comfortable operation during driving.

WARNING ! Pay the greatest attention to installation of the remote PTT control and its connecting cable, in order for these not to interfere with your driving operation.

Press and hold the PTT button (18) to transmit and speak into microphone (22) with normal voice. Release the PTT button (18) to return to receive mode.

Installation

Before installing the main unit in the vehicle, check and select the most convenient location, in order that the radio will be easy to reach and comfortable to operate, without disturbing or interfering with the vehicle drive. Use the supplied bracket and hardware to install the radio. The bracket screws must be well tightened in order not to become loosen with the vehicle vibrations. The car mounting bracket can be installed over or below the radio and the radio may be inclined as desired according to the specific type of installation (under dashboard or track cabin roof installation).

Installation of the Main Unit

Before connecting the radio to the vehicle electric system, make sure that radio is switched off, with the OFF/VOL knob (10) completely turned counter clockwise at OFF position. The DC power cable (15) of the radio is complete with a fuse holder with fuse located on the red positive (+) wire. Connect the DC power cable to the vehicle electric system, with special attention to respect correct polarity, even if the radio is protected against polarity inversion. Connect the red wire to the positive (+) pole and the black wire to the negative (-) pole of the vehicle electric system. Make sure that the wires and terminals are firmly and stably connected, in order to prevent cables from disconnecting or causing short circuits.

Installation of the Antenna

A specific mobile antenna adjusted for 27 MHz frequency range must be used. The antenna installation must be done by a specialised technician or service centre. Please pay special attention to carefully install the antenna on the vehicle with perfect connection to ground. Before connecting the antenna to the radio, it is necessary to check the correct operation of the antenna with low standing wave ratio (S.W.R.), using adequate instruments. If not, the transmitter circuit of the radio could be damaged. The antenna must be usually installed on the highest part of the vehicle, free from obstacles and as far away as possible from any source of electric or electromagnetic noise. The RF antenna coaxial cable must not be damaged or pressed on its way between antenna and the radio. The correct operation of the antenna and the low standing wave ratio (S.W.R.) must be checked periodically. Connect the RF antenna coaxial cable to the antenna connector (14), located on the rear side of the radio.

Checking Operation of the Radio

Once radio has been connected to the vehicle electric system and to the antenna, the correct operation of the system may be checked. Please proceed as follows :

- 1) Check that the power cable (15) is correctly connected.
- 2) Check that the RF antenna coaxial cable is correctly connected.
- 3) Connect the standard 4-pin microphone to the connector (12), located on the front side of the radio.
- 4) Rotate the AS/SQL knob (9) counter clockwise.
- 5) Turn radio on using the OFF/VOL knob (10) and adjust volume to the desired level.
- 6) Select the desired channel, using the Up/Down Keys (6, 7).
- 7) Rotate the AS/SQL knob (9) clockwise, to cut the background noise.
- 8) Press the PTT key (16) to transmit and release it to receive.

Frequency bands table - User Information

Frequency Bands Table

The transceiver INTEK M-60 PLUS includes an advanced multi-standard programmable circuit, which allows to program different frequency bands, specifications and operating modes, in conformity with the regulations in the country where the product is used. 9 programmable frequency bands are available, as per the below table :

FREQUENCY BAND ID CODE	COUNTRY	SPECIFICATIONS (Channels, Operating Modes, TX Power)
E1	ITALY/SPAIN	40CH AM / FM 4W
I2	ITALY	36CH AM / FM 4W
dE	GERMANY	80CH FM 4W - 12CH AM 1W
d2	GERMANY	40CH FM 4W - 12CH AM 1W
EU	EUROPE/FRANCE	40CH FM 4W - 40CH AM 1W
CE	CEPT	40CH FM 4W
U	UK	40CH FM 4W UK FREQUENCIES 40CH FM 4W CEPT FREQUENCIES
PL	POLAND	40CH AM / FM 4W POLISH FREQUENCIES
PD	POLAND	40CH AM 1W / FM 4W POLISH FREQUENCIES

Attention ! This radio has been factory pre-programmed on the **CE** frequency band (**CEPT 40CH FM 4W**), since this standard is currently accepted in all the European countries. Please refer to the information table at page I (Restrictions on the use of CB transceivers).

User Information

in accordance with art. 13 of the Legislative Decree of 25th July 2005, no. 15 "Implementation of Directives 2002/95/EC, 2002/96/EC and 2003/108/EC, relative to reduction of the use of hazardous substances in electrical and electronic equipment, in addition to waste disposal".



The crossed bin symbol shown on the equipment indicates that at the end of its working life the product must be collected separately from other waste.

The user must therefore take the above equipment to the appropriate differentiated collection centres for electronic and electro technical waste, or return it to the dealer when purchasing a new appliance of equivalent type, in a ratio of one to one.

Appropriate differentiated waste collection for subsequent recycling, treatment and environment-friendly disposal of the discarded equipment helps to prevent possible negative environmental and health effects and encourages recycling of the component materials of the equipment.

Illegal disposal of the product by the user will be punished by application of the administrative fines provided for by the legislative decree no. 22/1997 (article 50 and following of the legislative decree no. 22/1997).

Frequency Band Selection / Programming

This two-way CB radio has to be programmed and exclusively used on a frequency band allowed in the country where the product is used. When radio is switched ON, the current programmed frequency band code will be displayed (blinking) for about 3 seconds. To program a different frequency band, proceed as follows :

- 1) Turn OFF the radio.
- 2) Press and keep pressed the UP key (6), then turn ON the radio using the OFF/VOL knob (10).
- 3) The current frequency band code (B) will blink on the LCD display (5).
- 4) Now select the new desired frequency band code by pressing the Up (6) or Down keys (7).
- 5) Wait for about 5 seconds to confirm and store the new selected frequency band code.

UK/CE CHANNELS SELECTION (FREQUENCY BAND "U")

The "U" band (UK/CE band) includes both UK and CE channels, this band is for use in the UK. All channels can be scrolled using the Up (6) or Down (7) keys. If a UK channel is selected, the display (5) will show the channel number (B) and the indication "U". If a CEPT channel is selected the display (5) will show the channel number (B) and the indication "C".

Table of Restrictions on the Use of CB Transceivers (page I)

The following information are to be considered only just as an indication. They are believed to be correct at the time of printing this operating manual. It is however the user's responsibility to check that, in the country where radio is used, the regulations for the use of CB transceivers have not been modified. User is therefore suggested to contact the local dealer or local authority, in order to check the current regulations for the use of CB transceivers, before operating this product. The manufacturer does not take any responsibility if the product is used in violation of the regulations of the country where the product is used.

Addendum (Updated information on national restrictions)

BELGIUM, UK, SPAIN, SWITZERLAND

In order to use this transceiver in Belgium, UK, Spain and Switzerland, residence must have an individual licence. Users coming from abroad may freely use the radio in FM mode, while in order to use it in AM mode they must hold a licence released in their own country.

ITALY

Foreigners arriving in Italy must get an Italian authorization.

AUSTRIA

Austria does not allow using multi standard programmable CB radios. It is recommended to carefully follow this directives and not to use the product in the Austrian territory.

GERMANY

Along some border areas in Germany, the radio can not be used as a base station from channel 41 to channel 80. Refer to local authority (notification office) for details.

Specifications - Optional Accessories

Specifications

General

Channels	40 FM (refer to the frequency bands table at page 10)
Frequency range	27 MHz Citizen Band
Frequency control	P.L.L.
Operatine temperature	-10°/+55°C
DC input voltage	13.2Vdc ±15%
Size	115 (L) x 43 (H) x 165 (D) mm
Weight	600 gr.

Receiver

System	Double conversion, CPU controlled super-heterodine
IF	1° 10.695 MHz / 2° 455 KHz
Sensitivity	0.5uV (FM) 0.5uV (AM)
Audio output	2.5W
Audio distorsion	<8% at 1 KHz
Image rejection	65dB
Signal/noise ratio	45dB
Current drain	300mA (stand-by)

Transmitter

System	CPU controlled P.L.L. synthesizer
Maximum RF power	4W at 13.2Vdc
Modulation	85% to 90% (AM) 1.8 KHz ±0.2 KHz (FM)
Impedance	50 ohm unbalanced
Current drain	1200mA (at no modulation)

Opzional Accessories

ESM-444	External microphone with adjustable flexible boom and neck support
RPT-1	Remote PTT Control Box with velcro strap and 2 mt cable with jack



RECOMMENDED BY INTEK !
LEADER IN CB 27 MHz
CAR & TRUCK MOBILE ANTENNAS



Indice - Introduzione	13
Disimballaggio e verifica delle parti	14
Accessori forniti	14
Descrizione dei comandi e funzionamento	15-20
Installazione e collegamenti elettrici	21
Tabella bande di frequenza - Avviso agli utenti	22
Selezione / programmazione della banda di frequenza	23
Tabella delle restrizioni all' uso dei ricetrasmittitori CB	23
Caratteristiche tecniche	24
Tabella delle restrizioni all' uso dei ricetrasmittitori CB	I
Circuito stampato Main Board e Front Board	II-III
Schema elettrico	IV-V
Schema a blocchi	VI-VII
Note	VIII-IX

IMPORTANTE !

Prima di utilizzare la ricetrasmittente, verificare che la stessa sia programmata per operare sulle bande di frequenza e nei modi previsti dalle norme di legge in vigore nel paese in cui la radio viene utilizzata. Diversamente procedere alla modifica della programmazione, come indicato in questo manuale di istruzioni. La radio è pre-programmata all' origine sulla banda di frequenza europea CE (CEPT 40CH FM 4W).

Congratulazioni !

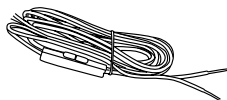
Congratulazioni per aver scelto ed acquistato un prodotto di qualità INTEK. Questo ricetrasmittitore dispone di numerose funzioni avanzate e vari dispositivi, pertanto è assolutamente necessario leggere attentamente questo manuale di istruzioni prima di utilizzare l' apparecchio. Con un uso corretto secondo quanto è indicato nel manuale di istruzioni, l' apparecchio garantirà un servizio senza problemi per molti anni. Ci impegnamo costantemente a fornire prodotti di qualità che rispondano alle vostre esigenze, ma siamo comunque sempre molto interessati a ricevere eventuali vostri commenti o suggerimenti su questo prodotto, che ci aiutino nel continuo miglioramento della qualità. INTEK M-60 PLUS è un ricetrasmittitore con caratteristiche tecniche di hardware e software molto avanzate e dispone di un circuito di tipo Multi Standard programmabile che consente di configurare i vari parametri dell' apparecchio (bande di frequenza, modi operativi, potenza del trasmettitore) in modo conforme alle norme di legge in vigore nei vari paesi della Comunità Europea. Pertanto questa ricetrasmittente può essere utilizzata in un qualsiasi paese della Comunità Europea. L' apparecchio viene consegnato pre-programmato sulla banda CE (CEPT 40CH FM 4W).

Disimballaggio e verifica delle parti

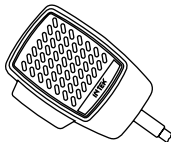
Disimballate accuratamente il ricetrasmittitore. Si raccomanda di identificare tutte le parti elencate nella tabella seguente, prima di eliminare l'imballo. Se vi sono stati danni o mancanze durante la spedizione, contattate immediatamente il vostro fornitore.

Accessori forniti

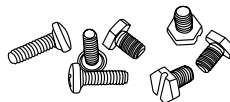
- Cavetto di alimentazione DC con porta fusibile e fusibile integrato con il ricetrasmittitore
- Microfono standard con connettore a 4 poli
- Staffa di montaggio per veicolo
- Accessori per montaggio staffa (viti, pomelli, ecc.)
- Staffa di supporto per microfono
- Manuale di istruzioni



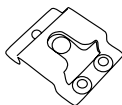
Cavetto di alimentazione
con porta fusibile e fusibile
integrato con il ricetrasmittitore



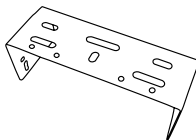
Microfono



Viteria



Supporto per il microfono

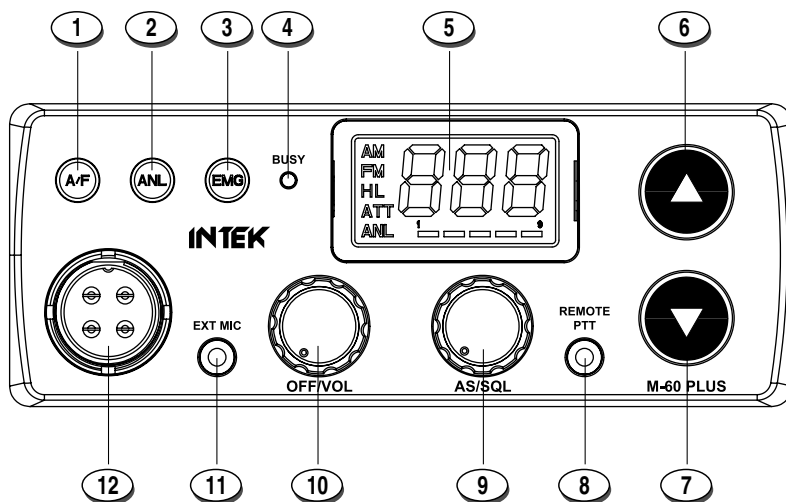


Staffa di montaggio



Manuale di istruzioni

PANNELLO FRONTALE



1. Tasto A/F

Questo tasto consente di selezionare il modo operativo AM o FM, in TX e RX, se il modo scelto è abilitato dalla banda di frequenza programmata.

2. Tasto ANL (Automatic Noise Limiter)

Premere il tasto ANL (2) per inserire il dispositivo ANL (Automatic Noise Limiter) che permette la riduzione dei disturbi radio elettrici ed elettromagnetici sul canale in uso. L' icona ANL (D) sarà accesa a conferma dell' inserimento del dispositivo. Ripremere il tasto ANL (2) per disattivare il dispositivo ANL.

3. Tasto EMG (Emergency Channels)

Questo tasto permette la selezione rapida di uno dei 2 canali di emergenza pre-programmati (CH9 o CH19). Ad ogni pressione del tasto EMG (3), viene impostato il canale CH9, quindi il canale CH19, quindi nuovamente il normale canale in uso.

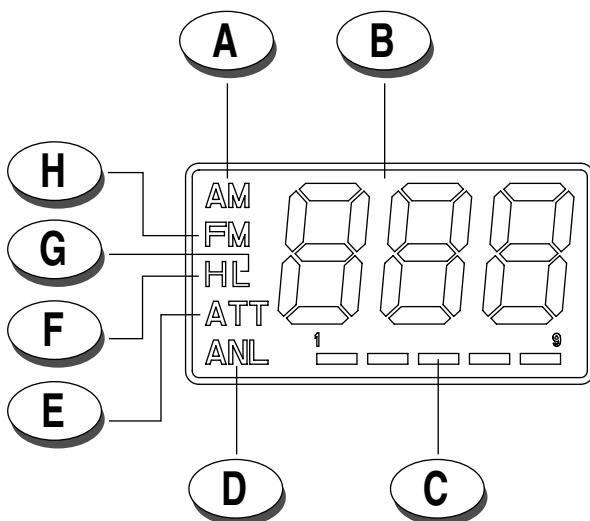
4. Indicatore BUSY

Indicatore LED di colore verde, è acceso quando la radio sta ricevendo una comunicazione e lo Squelch è aperto (la radio non si trova in modalità mute).

5. Display LCD

Ampio display LCD di tipo retroilluminato in colore blu, per la massima leggibilità. Il display indica il numero del canale in uso, il modo operativo e tutte le funzioni e i dispositivi attivati.

DISPLAY LCD



A. Icona AM

L' icona AM (A) è accesa quando il ricetrasmittitore riceve e trasmette in modo AM (modulazione di ampiezza).

B. Indicazione del canale

Indica il numero del canale in uso o la banda di frequenza selezionata.

C. Strumento a barre S/RF Meter

Strumento digitale S/Meter a 5 barre, indica l' intensità del segnale ricevuto da S0 a S9+30 in ricezione e la potenza RF di uscita da 0 a 4W in trasmissione.

D. Icona ANL

L' icona ANL (D) è accesa quando è abilitato il dispositivo ANL (Automatic Noise Limiter).

C. Icona TX

L' icona TX (C) è accesa quando il ricetrasmittitore è in modalità trasmissione.

E. Icona ATT

Non disponibile in questo modello.

F. Icona H

L' icona H (F) è accesa quando il trasmettitore è in modalità alta potenza del trasmettitore (4W).

G. Icona L

L' icona L (G) è accesa quando il trasmettitore è in modalità bassa potenza del trasmettitore (1W).

H. Icona FM

L' icona FM (H) è accesa quando il ricetrasmittitore riceve e trasmette in modo FM (modulazione di frequenza).

6. Tasto Up

Premere per selezionare il canale operativo in modo crescente. Mantenendo premuto questo tasto, la selezione dei canali avverrà in modo rapido.

7. Tasto Down

Premere per selezionare il canale operativo in modo decrescente. Mantenendo premuto questo tasto, la selezione dei canali avverrà in modo rapido.

8. Presa REMOTE PTT

Preso per il collegamento del comando PTT remoto RPT-1 (opzionale).

Per il funzionamento fare riferimento al paragrafo "MODALITA' DI TRASMISSIONE" a pag. 20.

9. Manopola AS/SQUELCH

COMANDO SQUELCH (regolazione manuale SQUELCH)

Il comando SQUELCH permette di silenziare il ricevitore, eliminando il rumore (fruscio) di fondo in assenza di segnali. Ruotare la manopola in senso orario sino a quando scompare il rumore di fondo. Ruotare la manopola in senso antiorario (apertura dello SQUELCH) per ascoltare i segnali più deboli.

COMANDO AS (regolazione fissa SQUELCH)

E' disponibile la funzione AS per silenziare il ricevitore in modo automatico, senza eseguire la regolazione manuale dello SQUELCH. Una regolazione fissa dello SQUELCH è pre-impostata in origine. Per impostare la funzione AS, ruotare la manopola completamente in senso antiorario fino a farla scattare in posizione AS.

10. Manopola OFF/VOL

Manopola di accensione e spegnimento della radio. Permette la regolazione del volume di ascolto. In assenza di segnali sul canale in uso, si consiglia di aprire lo SQUELCH e quindi di regolare il volume al livello desiderato utilizzando come riferimento il rumore (fruscio) di fondo.

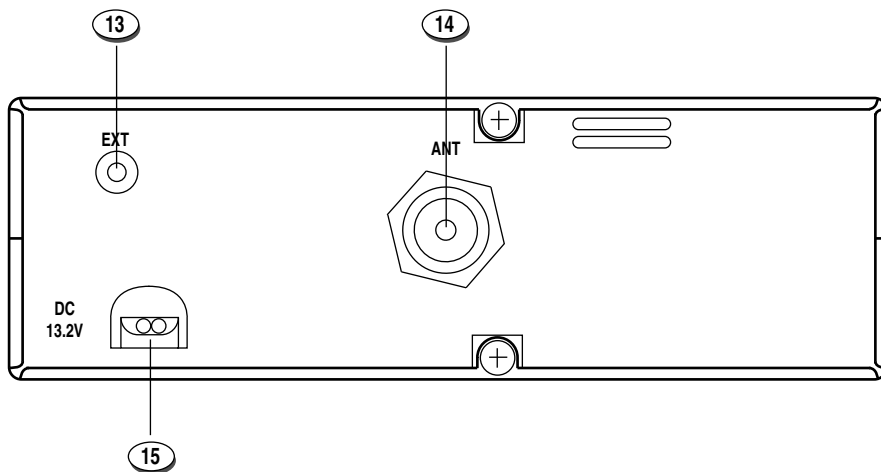
11. Presa EXT MIC

Preso per il collegamento del microfono esterno opzionale ESM-444. Per il funzionamento fare riferimento al paragrafo "MODALITA' DI TRASMISSIONE" a pag. 20.

12. Presa per microfono

Collegare il microfono tradizionale a 4-poli in dotazione a questa presa, bloccandolo tramite l' apposita ghiera.

PANNELLO POSTERIORE



13. Presa EXT (External Speaker)

Presse per il collegamento di un altoparlante esterno (opzionale).

14. Connettore di antenna (SO-239)

Presse per il collegamento dell' antenna. Vedi capitoli "installazione e collegamenti elettrici".

15. Entrata POWER 13.2VDC

Entrata del cavetto di alimentazione DC in dotazione.

IMPORTANTE !

Non tentare mai di aprire il contenitore del ricetrasmittitore. All' interno dell' apparecchio non vi sono parti utili o utilizzabili dall' utente. Interventi o manomissioni del circuito interno della radio possono causare danni alla stessa o modificarne le caratteristiche tecniche ed inoltre violano e invalidano il diritto alla garanzia. In caso di interventi tecnici, rivolgersi esclusivamente ad tecnico o ad un centro di assistenza autorizzato.

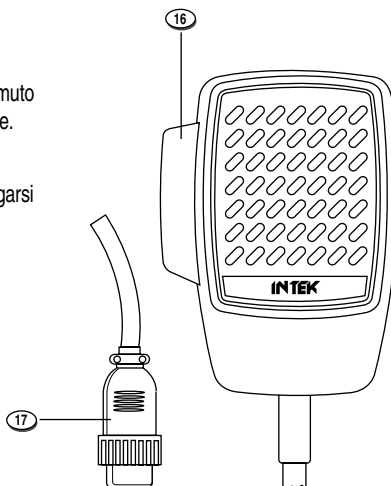
MICROFONO CON CONNETTORE A 4-POLI

16. Tasto PTT (Push-to-Talk)

Tasto di trasmissione. Premere per trasmettere e mantenere premuto durante la trasmissione e rilasciare per ritornare in modalità ricezione.

17. Connettore microfono

Connettore del microfono a 4 poli con ghiera di fissaggio, da collegarsi alla apposita presa (12) sul pannello frontale.



COMANDO PTT REMOTO RPT-1 (OPZIONALE)

18. Tasto PTT (Push-to-Talk)

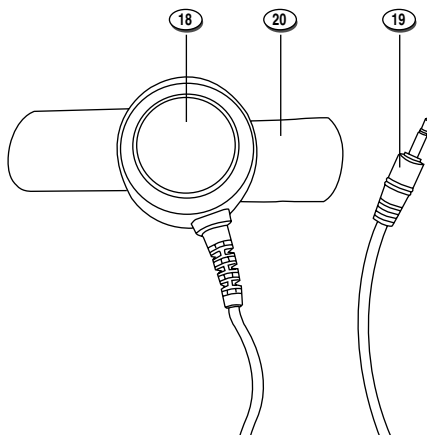
Tasto di trasmissione. Premere per trasmettere e mantenere premuto durante la trasmissione e rilasciare per ritornare in modalità ricezione.

19. Connettore Jack

Connettore jack da collegarsi nell'apposita presa REMOTE PTT (8) sul pannello frontale della radio.

20. Velcro

Velcro per il fissaggio all'interno del veicolo (es. alla leva del cambio, al volante, ecc.).



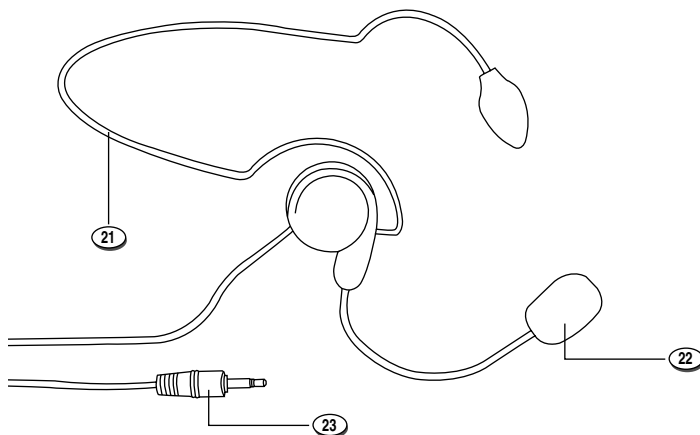
MICROFONO ESTERNO ESM-444 (OPZIONALE)

21. Supporto da collo

22. Microfono

23. Connettore Jack

Connettore jack da collegarsi nell' apposita presa EXT MIC (11) situata sul pannello frontale della radio.



MODALITA' DI TRASMISSIONE

OPERAZIONE IN MODO PTT CON MICROFONO TRADIZIONALE (in dotazione)

1. Inserire il microfono nell' apposita presa (12).
2. Premere il tasto PTT (16) per trasmettere e mantenere premuto durante la trasmissione.
3. Parlare nel microfono con voce normale e rilasciare il tasto PTT (16) per ritornare in modalità ricezione.

OPERAZIONE IN MODO PTT CON MICROFONO ESTERNO (opzionale)

E COMANDO PTT REMOTO (opzionale)

Il microfono esterno (ESM-444) ed il comando PTT remoto (RPT-1) opzionali, permettono l' uso della radio in perfetta comodità e sicurezza, senza dover utilizzare il microfono tradizionale che può essere tranquillamente scollegato dall' apparato. Inserire il jack del microfono esterno (23) nella presa EXT MIC (11).

Inserire il jack del comando PTT remoto (19) nell' apposita presa REMOTE PTT (8). Questo accessorio è dotato di velcro (20) che permette un comodo fissaggio all' interno del veicolo (es. alla leva del cambio, al volante, ecc.).

Avvertenza ! Fare la massima attenzione nel montaggio del comando PTT remoto e del relativo cavetto, affinché essi non ostacolino in alcun modo le operazioni di condotta del veicolo !

Premere il tasto PTT remoto (18) per trasmettere e mantenerlo premuto durante la trasmissione. Parlare nel microfono (22) con una voce normale e rilasciare il PTT remoto (18) per ritornare in modalità ricezione.

Installazione del ricetrasmittitore

E' necessario verificare e localizzare sul veicolo la posizione più opportuna ove installare l' apparecchio, in modo che sia pratico e confortevole l' utilizzo dello stesso e che l' ubicazione del ricetrasmittitore non sia in nessun modo di ostacolo alla guida del veicolo. Per il montaggio del ricetrasmittitore, utilizzare la staffa e le viti in dotazione. Le viti di fissaggio della staffa devono essere ben serrate in modo che le vibrazioni del veicolo non possano allentarle. La staffa può essere montata sia sopra sia sotto l' apparecchio a seconda del tipo di installazione richiesto. Il ricetrasmittitore può anche essere inclinato e poi bloccato nella posizione desiderata tramite i 2 pomelli di fissaggio in dotazione.

Collegamento elettrico del ricetrasmittitore

Prima di collegare l' apparecchio al circuito elettrico del veicolo, assicurarsi che il ricetrasmittitore sia spento, ovvero che la manopola OFF/VOL (10) sia girata completamente in senso antiorario in posizione OFF. Il cavetto di alimentazione (15) del ricetrasmittitore è completo di porta-fusibile con fusibile di protezione posto sul cavo rosso del positivo (+). Collegare il cavetto di alimentazione al circuito elettrico del veicolo, facendo molta attenzione nel rispettare la corretta polarità, anche se l' apparecchio è protetto contro le inversioni di polarità. Collegare il cavetto rosso al polo positivo (+) e il cavetto nero al polo negativo (-) del circuito elettrico del veicolo. Assicurarsi che il collegamento dei cavetti sia ben eseguito e che i terminali siano ben fissati, per evitare che essi si possano staccare o causare corto circuiti.

Installazione e collegamento dell' antenna

Deve essere utilizzata un' antenna veicolare tarata sulle frequenze CB 27 MHz. L' installazione dell' antenna deve essere eseguita da un tecnico specializzato. La massima attenzione deve essere prestata nel montaggio dell' antenna sul veicolo e nel collegamento della stessa alla massa del veicolo. Prima del collegamento al ricetrasmittitore, è indispensabile che sia verificato il corretto funzionamento dell' antenna con basso livello di onde stazionarie (R.O.S.), tramite apposita strumentazione. In caso contrario, il circuito trasmittente dell' apparecchio potrebbe venire danneggiato. L' antenna deve essere normalmente montata sulla parte più alta del veicolo, libera da ostacoli e il più possibile distante da fonti di disturbo elettrico o elettromagnetico. Il cavetto coassiale RF dell' antenna non deve essere danneggiato o schiacciato nel percorso dall' antenna al ricetrasmittitore. La corretta funzionalità dell' antenna ed il basso rapporto di onde stazionarie (R.O.S.) devono essere controllati periodicamente. Collegare il cavo RF dell' antenna all' apposita presa di antenna (14), posta sul pannello posteriore della radio.

Controllo del funzionamento del ricetrasmittitore

Una volta eseguiti i collegamenti elettrici del cavo di alimentazione e dell' antenna, si può controllare il corretto funzionamento del sistema. Procedere come segue :

- 1) Controllare che sia correttamente collegato il cavetto di alimentazione (15)
- 2) Controllare che sia correttamente collegato il cavetto coassiale RF dell' antenna.
- 3) Collegare il microfono a 4-poli all' apposita presa (12), posta sul pannello frontale della radio.
- 4) Ruotare il comando AS/SQL (9) in senso antiorario a inizio corsa.
- 5) Accendere l' apparecchio tramite la manopola OFF/VOL (10) e regolare il volume di ascolto al livello desiderato.
- 6) Selezionare il canale desiderato, tramite i tasti Up e Down (6, 7).
- 7) Ruotare il comando AS/SQL (9) in senso orario, per eliminare il rumore di fondo.
- 8) Premere il tasto PTT (16) per trasmettere e quindi rilasciarlo per ricevere.

Il ricetrasmittitore dovrà funzionare correttamente.

Tabella bande di frequenza - Avviso agli utenti

Tabella bande di frequenza

Il ricetrasmittitore INTEK M-60 PLUS dispone di un avanzato circuito multi-standard programmabile, che consente di programmare la banda di frequenza, i parametri e i modi operativi in conformità con le norme del paese in cui viene utilizzato l'apparecchio. Sono disponibili n. 9 bande programmabili, come dalla seguente tabella :

Italiano

CODICE BANDA DI FREQUENZA	PAESE	SPECIFICHE (Canali, modi operativi, potenza TX)
E1	ITALIA/SPAGNA	40CH AM / FM 4W
I2	ITALIA	36CH AM / FM 4W
dE	GERMANIA	80CH FM 4W - 12CH AM 1W
d2	GERMANIA	40CH FM 4W - 12CH AM 1W
EU	EUROPA/FRANCIA	40CH FM 4W - 40CH AM 1W
CE	CEPT	40CH FM 4W
U	INGHILTERRA	40CH FM 4W FREQUENZE UK 40CH FM 4W FREQUENZE CEPT
PL	POLONIA	40CH AM / FM 4W FREQUENZE POLACCHE
PD	POLONIA	40CH AM 1W / FM 4W FREQUENZE POLACCHE

Attenzione ! Il ricetrasmittitore è stato pre-programmato all'origine sulla banda di frequenza con codice paese **CE (CEPT 40CH FM 4W)**, in quanto questo standard è attualmente riconosciuto in tutti i paesi europei. Vedere la tabella delle informazioni alla pag. I (Restrizioni all'uso dei ricetrasmittitori CB).

Avviso agli utenti

Ai sensi dell'art. 13 del decreto legislativo 25 luglio 2005, n. 15"Attuazione delle Direttive 2002/95/CE, 2002/96/CE e 2003/108/CE, relative alla riduzione dell'uso di sostanze pericolose nelle apparecchiature elettriche ed elettroniche, nonché allo smaltimento dei rifiuti".



Il simbolo del cassonetto barrato riportato sull'apparecchiatura indica che il prodotto alla fine della propria vita utile deve essere raccolto separatamente dagli altri rifiuti.

L'utente dovrà, pertanto, conferire l'apparecchiatura giunta a fine vita agli idonei centri di raccolta differenziata dei rifiuti elettronici ed elettrotecnici, oppure riconsegnarla al rivenditore al momento dell'acquisto di una nuova apparecchiatura di tipo equivalente, in ragione di uno a uno.

L'adeguata raccolta differenziata per l'avvio successivo dell'apparecchiatura dismessa al riciclaggio, al trattamento e allo smaltimento ambientalmente compatibile contribuisce ad evitare possibili effetti negativi sull'ambiente e sulla salute e favorisce il ciclo dei materiali di cui è composta l'apparecchiatura.

Lo smaltimento abusivo del prodotto da parte dell'utente comporta l'applicazione delle sanzioni amministrative di cui al dlgs. n. 22/1997" (articolo 50 e seguenti del dlgs. n. 22/1997).

Selezione / programmazione della banda di frequenza

Il ricetrasmittitore deve essere programmato e utilizzato esclusivamente su una banda di frequenza ammessa nel paese in cui viene utilizzato l' apparecchio. La banda pre-impostata viene visualizzata con un lampeggio della durata di 3 secondi all' accensione dell' apparecchio. E' possibile programmare una diversa banda di frequenza, eseguendo la seguente procedura :

- 1) Spegnerne il ricetrasmittitore.
- 2) Premere e mantenere premuto il tasto Up (6), quindi accendere il ricetrasmittitore, ruotando la manopola OFF/VOL (10).
- 3) Il codice di paese (B) impostato lampeggia sul display (5).
- 4) Selezionare ora il nuovo codice di paese desiderato, utilizzando i tasti Up (6) o Down (7).
- 5) Attendere circa 5 secondi per confermare la selezione del nuovo codice di paese.

SELEZIONE CANALI UK / CE (BANDA DI FREQUENZA U)

La banda di frequenza "U" (bande UK/CE), comprende sia i canali UK che i canali CE; questa banda è per l' utilizzo della radio in UK. Scorrere tutti i 40 canali della banda in uso per passare da una banda all' altra. Se è selezionato un canale UK, il display (5) visualizzerà il numero del canale (B) e l' indicazione "U". Se è selezionato un canale CEPT, il display (5) visualizzerà il numero del canale (B) e l' indicazione "C".

Tabella delle restrizioni all' uso dei ricetrasmittitori CB (pag. 1)

Le seguenti informazioni sono date a solo titolo indicativo. Si ritiene che le stesse siano corrette al momento della stampa del presente manuale di istruzioni. E' tuttavia responsabilità dell' utilizzatore del ricetrasmittitore il verificare che, nel paese in cui viene utilizzato l' apparecchio, non siano state introdotte variazioni alle norme di legge che abbiano modificato le suddette restrizioni. Si consiglia quindi l' utilizzatore di consultare il proprio rivenditore di fiducia o l' autorità locale al fine di verificare con esattezza le norme di legge in vigore e le restrizioni all' uso per i ricetrasmittitori CB, prima di utilizzare il prodotto. Il produttore non assume alcuna responsabilità per l' uso del prodotto in modo non conforme a quanto è stabilito dalle norme di legge, vigenti nel paese in cui il prodotto è utilizzato.

Addendum (Aggiornamento sulle restrizioni nazionali)

BELGIO, GRAN BRETAGNA, SPAGNA, SVIZZERA

Per poter utilizzare questo ricetrasmittitore in Belgio, Gran Bretagna, Spagna e Svizzera, i residenti necessitano di una licenza individuale. Coloro che invece provengono dall' estero possono utilizzare liberamente l' apparecchio in modo FM, mentre per utilizzarlo in modo AM devono essere in possesso di una licenza rilasciata dal paese di origine.

ITALIA

Per gli stranieri che arrivano in Italia, è necessaria una autorizzazione italiana.

AUSTRIA

L' Austria non autorizza l' uso di ricetrasmittitori CB di tipo multi-standard (programmabili). Si consiglia di rispettare scrupolosamente questa direttiva e di non utilizzare l' apparecchio nel territorio austriaco.

GERMANIA

Lungo i confini di alcune zone della Germania, l' utilizzo del ricetrasmittitore come stazione base dal canale 41 al canale 80 non è ammesso. Rivolgersi all' autorità locale (ufficio notifiche) per ulteriori dettagli.

Caratteristiche tecniche

Generali

Canali	40 FM (vedere tabella bande di frequenza a pag. 22)
Gamma di frequenza	27 MHz Banda Cittadina
Controllo di frequenza	P.L.L.
Temperatura di lavoro	-10°/+55°C
Tensione di alimentazione	13.2Vdc ±15%
Dimensioni	115 (L) x 43 (A) x 165 (P) mm
Peso	600 gr.

Ricevitore

Sistema	Super-eterodina a doppia conversione, controllato da CPU
IF	1° 10.695 MHz / 2° 455 KHz
Sensibilità	0.5µV (FM) 0.5µV (AM)
Uscita audio	2.5W
Distorsione audio	<8% a 1 KHz
Reiezione alle immagini	65dB
Rapporto segnale/rumore	45dB
Consumo	300mA (stand-by)

Trasmittitore

Sistema	Sintetizzatore P.L.L. controllato da CPU
Potenza RF massima	4W a 13.2Vdc
Modulazione	da 85% a 90% (AM) 1.8 KHz ±0.2 KHz (FM)
Impedenza	50 ohm sbilanciati
Consumo	1200mA (senza modulazione)

Accessori Opzionali

ESM-444

Microfono esterno con astina regolabile e supporto da collo

RPT-1

Tasto PTT remoto con fissaggio a velcro e 2 mt di cavo con jack



RACCOMANDATE DA INTEK !

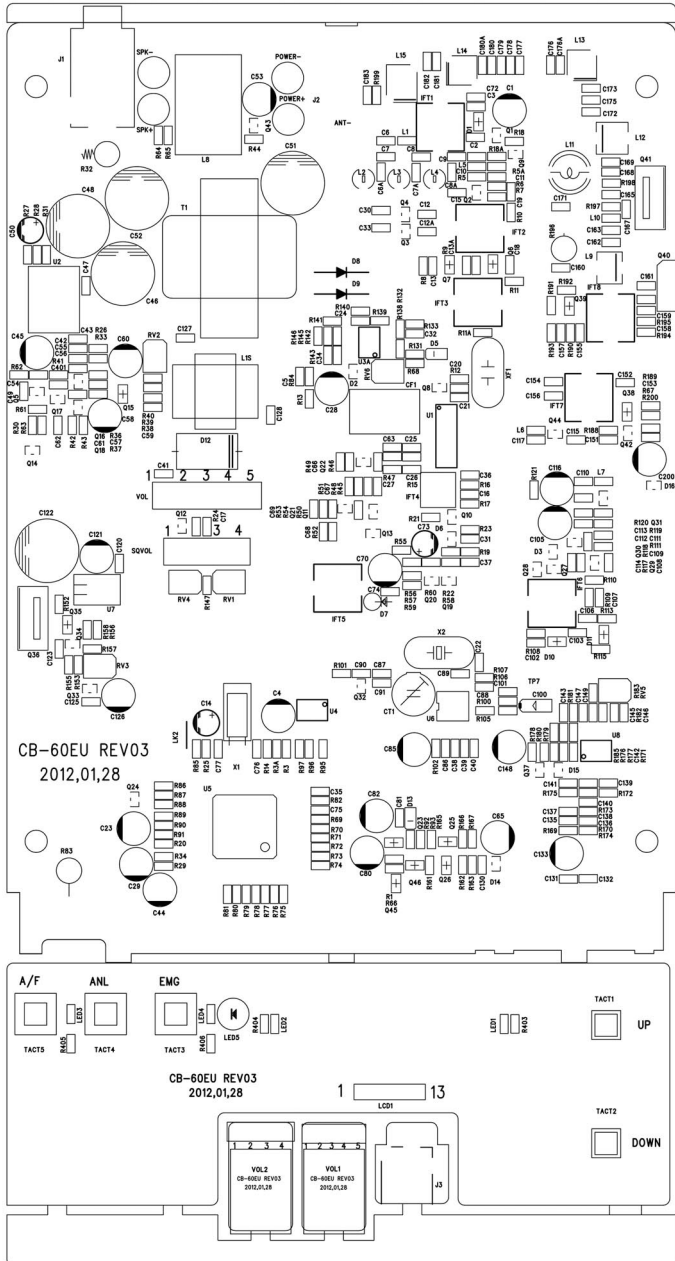
LEADER IN CB 27 MHz
CAR & TRUCK MOBILE ANTENNAS



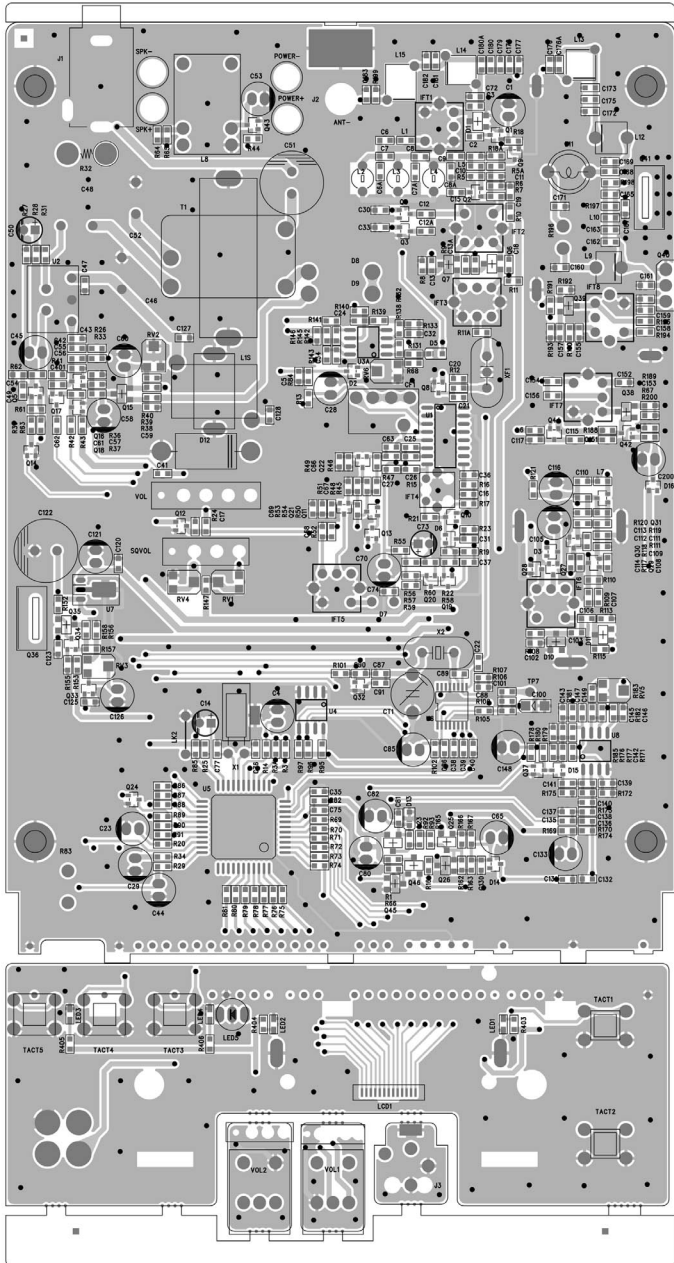
Table of restrictions on the use of CB transceivers

COUNTRY	CB Introd.	Use restrictions and other comments	Settings			
AUSTRIA	NO	Not allowed				
BELGIUM	YES	40 CH - 4W FM - Individual licence is required		EU	FR	CE
		40 CH - 1W AM - Individual licence is required				
DENMARK	YES	40 CH - 4W FM - Free use				CE
FINLAND	YES	40 CH - 4W FM - Free use		EU	FR	CE
		e 1W AM - Free use				
FRANCE	YES	40 CH - 4W FM - Free use		EU	FR	CE
		40 CH - 1W AM - Free use				
GERMANY	YES	80 CH - 4W FM - Free use (restrictions for use as a base station on channels 41-80 in some border areas)	DE			
		12 CH - 1W AM - Free use				
		40 CH - 1W AM Free use (only CH 4-15 allowed)		EU		
		40 CH - 4W FM - Free use	D2			CE
		12 CH - 1W AM - Free use REGTP Vfg41 issued on September 10, 2003				
GREECE	YES	40 CH - 4W FM - Free use		EU	FR	CE
		40 CH - 4W AM - Free use				
		T/R 20-02				
IRELAND	YES	40 CH - 4W FM - Free use	SP	EU	FR	10
		40 CH - 4W AM - Free use				
		S.I. No 436 of 1998. WIRELESS TELEGRAPHY ACT, 1926 (SECTION3) (EXEMPTION OF CITIZENS' BAND (CB) RADIOS) ORDER, 1998				
ITALY	YES	40 CH - 4W FM - A Declaration to the Italian Ministry is required (art. 145 - dl 259 of 01/08/2003)	SP	EU	FR	10
		40 CH 1W AM - A Declaration to the Italian Ministry is required (art. 145 - dl 259 of 01/08/2003)				
		34 CH - 4W FM, 1W AM (erp). Nota: AM mode allowed on CH1-CH23 only. General authorisation is required (art. 104 - dl259 of 01/08/2003)				12
		P.N.F. issued on DM 08.07.02 Notes: 49 A/B/C/D/E/G				
LUXEMBOURG	YES	40 CH - 4W FM - Free use. (Following frequencies are not allowed : 29.995, 27.045, 27.095, 27.145, 27.195 MHz)				CE
NORWAY	YES	40 CH - 4W FM - Free use				CE
NETHERLANDS	YES	40 CH - 4W FM - Free use		EU	FR	CE
		40 CH - 1W AM - Free use				
PORTUGAL	YES	40 CH - 4W FM - Individual licence is required		EU	FR	CE
		40 CH - 1W AM - Individual licence is required				
UNITED KINGDOM	YES	40 CH - 4W FM - Individual licence is required	UK			CE
		UK-RA-MPT 1382/MPT1320; UK-R&TTE -S.I.L. 2000:730				
SPAIN	YES	40 CH - 4W FM - Individual licence is required	SP	EU	FR	CE
		40 CH - 4W AM - Individual licence is required				
		Ministerial decree of 18th November 2002 issued by "Secretaría de Estado de Telecomunicaciones y para la Sociedad de la Información"				
SWEDEN	YES	40 CH - 4W FM - Free use		EU	FR	CE
		40 CH - 1W AM - Individual licence is required				
SWITZERLAND	YES	40 CH - 4W FM - Individual licence is required		EU	FR	CE
		40 CH - 1W AM - Individual licence is required				

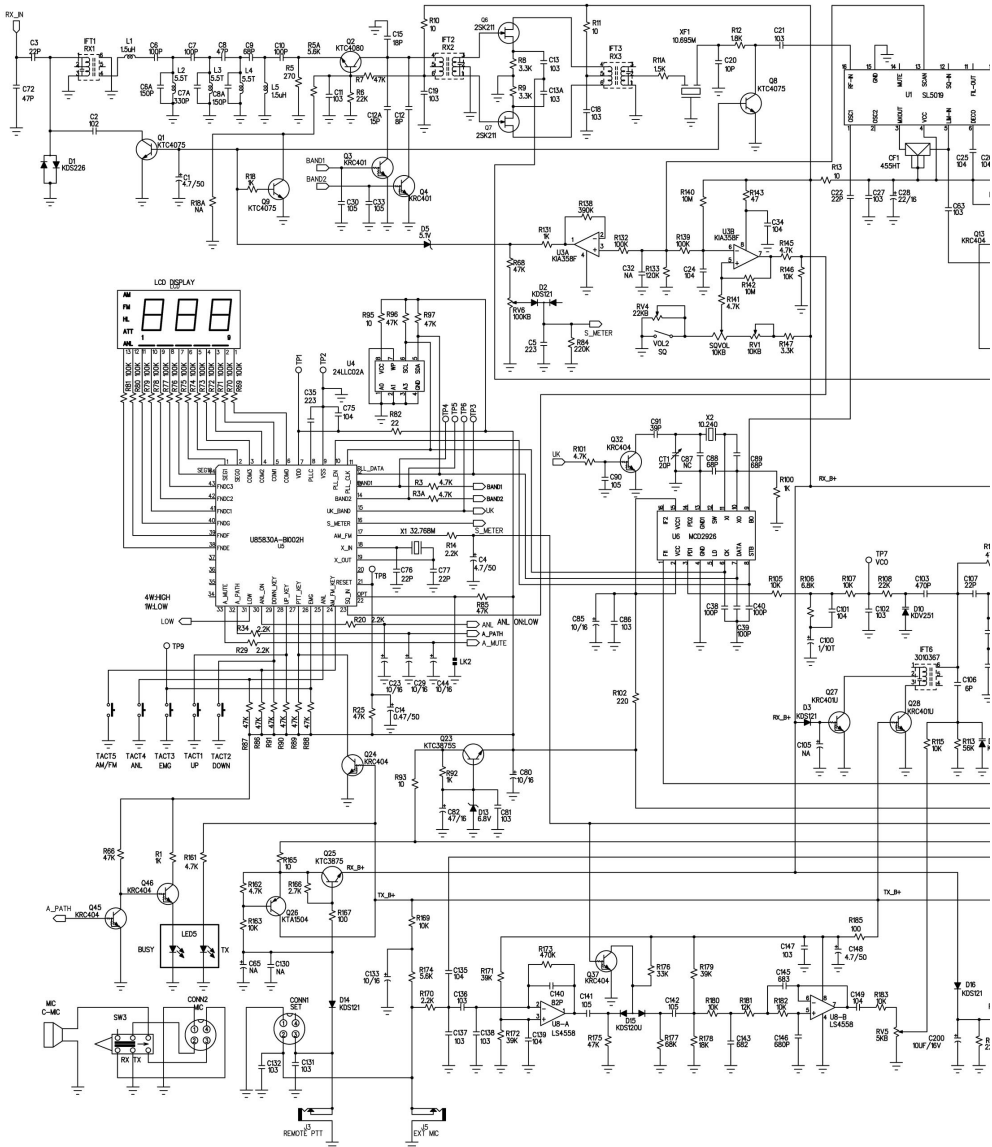
PCB - Main Board & Front Board



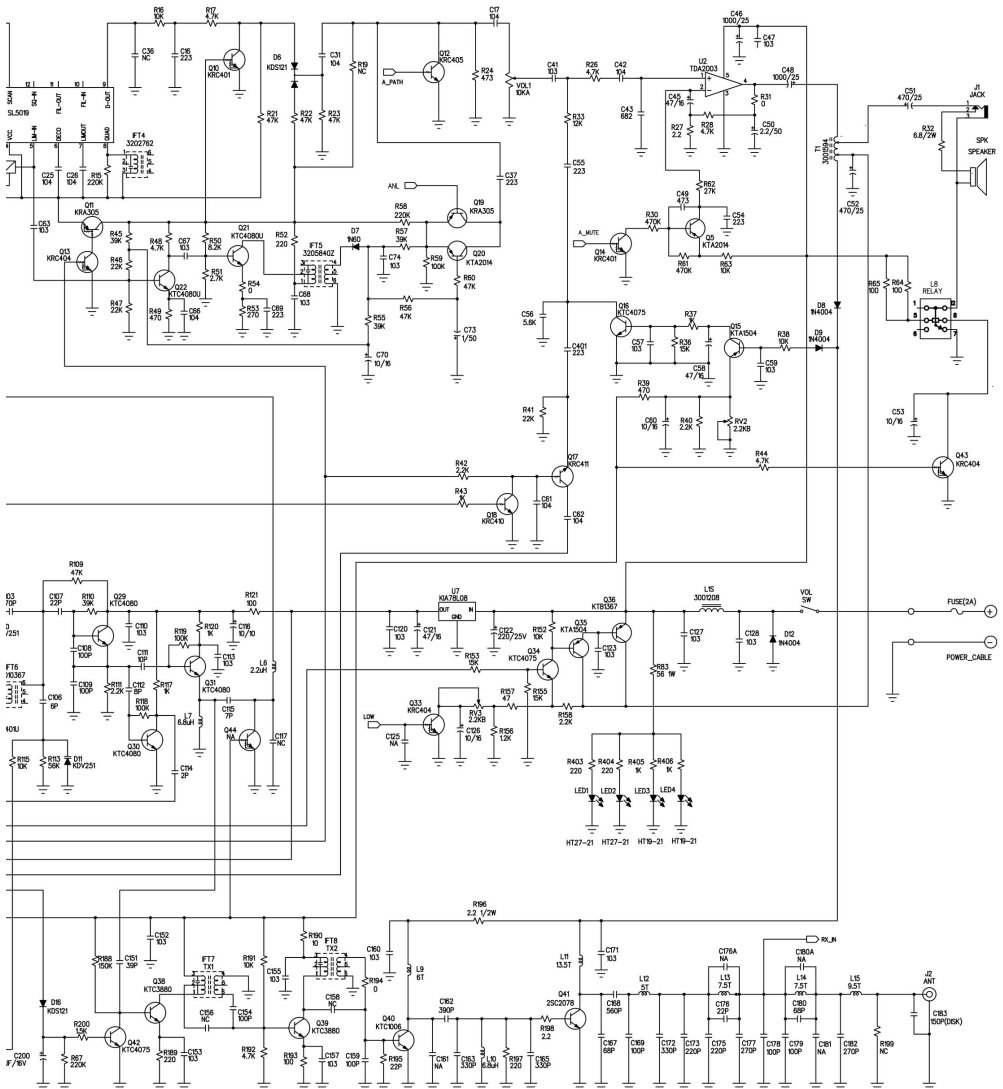
PCB - Main Board & Front Board



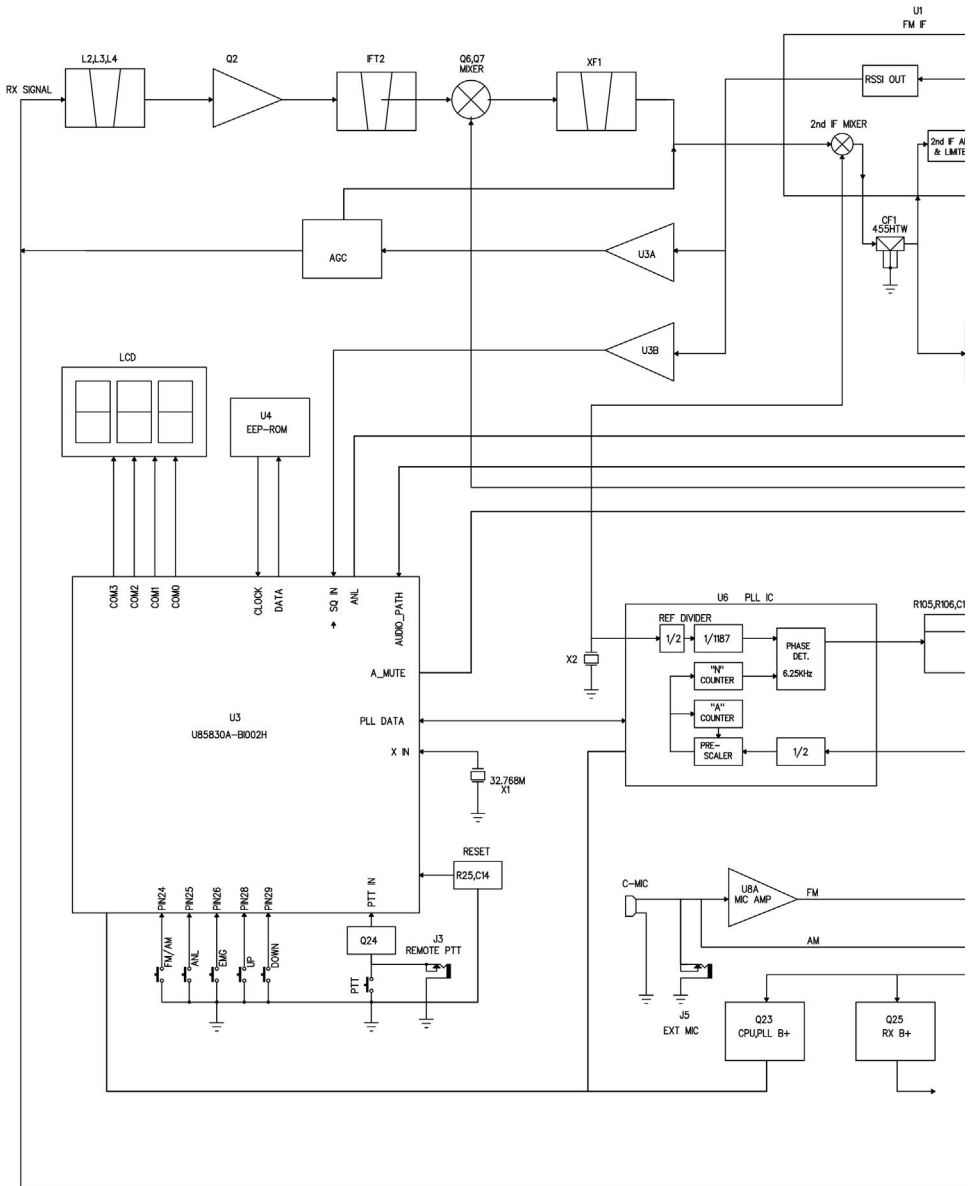
Diagram



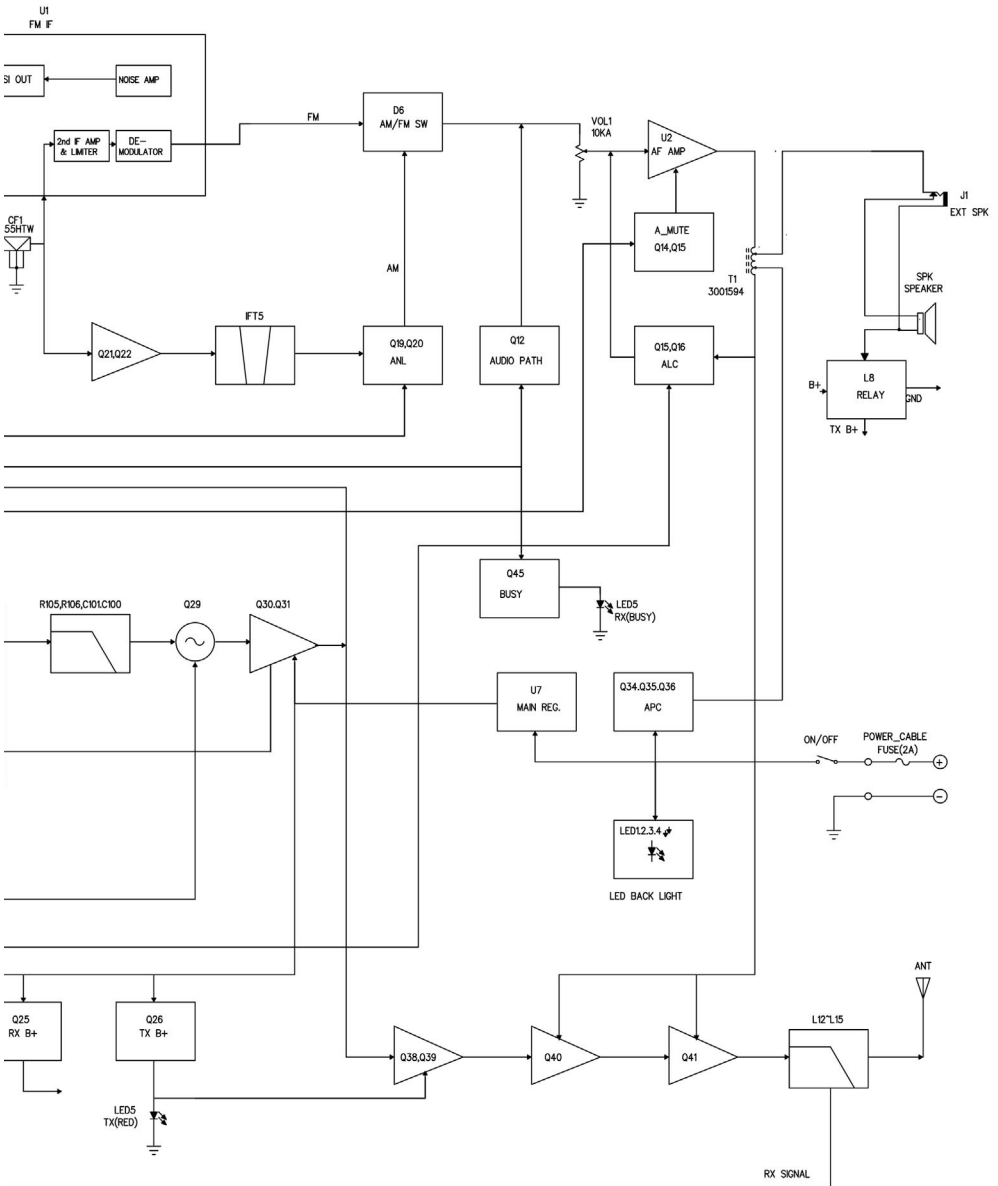
Diagram



Block Diagram



Block Diagram



INTEK®