

M-120 PLUS

MULTI STANDARD PROGRAMMABLE
27 MHz CB MOBILE TRANSCEIVER

OWNER'S MANUAL
MANUALE DI ISTRUZIONI



INTEK®

Declaration of Conformity

EC Certificate of Conformity
(to EC Directive 99/5-89/336-93/68-73/23)

DECLARATION OF CONFORMITY

With the present declaration, we certify that the following products :

INTEK M-120 PLUS

comply with all the technical regulations applicable to the above mentioned products in accordance with the EC Directives 73/23/EEC, 89/336/EEC and 99/5/EC.

Type of product : CB Transceiver

Details of applied standards : EN 300 433-1/-2, EN 300 135-1/-2
EN 301 489-1, EN 301 489-13
EN 60065

Manufacturer : **INTEK S.R.L.**
Via G. Marconi, 16
20090 Segrate, Italy
Tel. 39-02-26950451 / Fax. 39-02-26952185
E-mail : intek.com@intek-com.it

Notified Body : EMCCert Dr. Rasek
Boelwiese 5, 91320 Ebermannstadt
Germany
Identification Number : 0678

Contact Reference : Armando Zanni
Tel. 39-02-26950451 / Fax. 39-02-26952185
E-mail : intek.com@intek-com.it

Segrate, 23/05/2008

dr. Vittorio Zanetti
(General Manager)

NOTICE !

It is recommended to carefully read this owner's manual before using the product. This will also help the user to prevent using the radio in violation of the regulations valid in the country where the product is used, as well as to avoid any possible interferences with other services.

CE 0678



Index - Introduction - Content of the packaging	1
Controls and operation	2-4
Installation	5
Installing and connecting the mobile antenna with magnet base (Full Kit Version)	6
Frequency bands table - User Information	7
Frequency band selection / programming	8
Table of restrictions on the use of CB transceivers	8
Specifications	9
Table of restrictions on the use of CB transceivers	I
PCB - Main Board & Front Board	II-III
Diagram	IV-V
Block Diagram	VI-VII

NOTICE !

Before using this transceiver, please check that the radio has been programmed on the frequency bands, specifications and operating modes allowed by the regulations valid in the country where the product is used. If not, please proceed to modify the frequency band programming, as it is described in this owner's manual. This transceiver is factory pre-programmed on the CE European frequency band (CEPT 40CH FM 4W).

Congratulations!

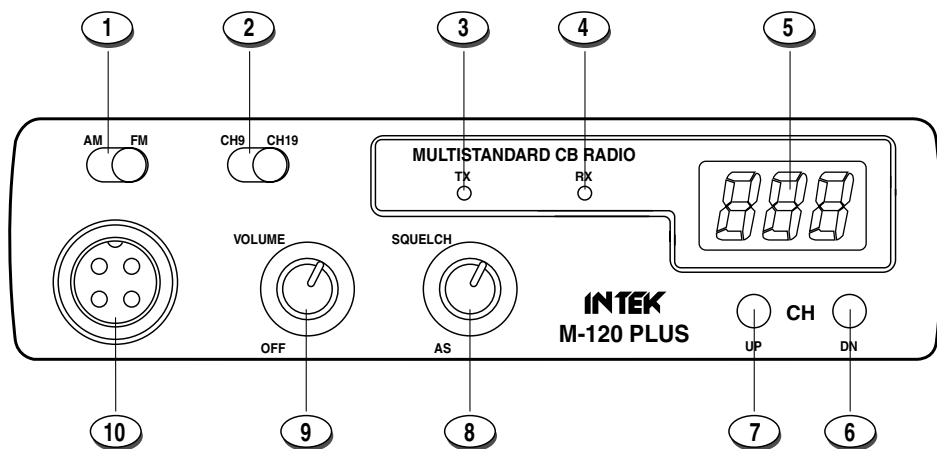
Congratulations for selecting and purchasing an INTEK quality product. This transceiver includes a number of advanced functions and systems, therefore it is definitely necessary to carefully read this owner's manual before using the radio. With a correct use of the product in accordance with the operating method described in this manual, the product will offer a trouble free use for many years. INTEK is constantly engaged to develop and provide quality products meeting the customers requirements, however any suggestion or comments on this product that might help us to improve quality are warmly welcome. INTEK M-120 PLUS is a CB transceiver using advanced hardware and software design, it includes a special multi-standard programmable circuit, which allows to program the specifications of the radio (frequency bands, operating modes, transmitter power) in compliance with the regulations valid in the various European countries. Therefore this product can be used in any country of the European Community. The radio is delivered factory pre-programmed on the CE European frequency band (CEPT 40CH FM 4W).

Content of the packaging

Please check that all the following items are contained in the packaging :

- main unit (transceiver)
- DC power cord with fuse holder and fuse
- power cord with lighter adaptor plug and fuse (Full Kit version)
- condenser microphone
- car mounting bracket
- car mounting bracket accessories (hardware, knobs, etc.)
- microphone bracket
- mobile antenna with magnet base (Full Kit version)
- owner's manual

Front Panel



1. AM / FM Selector

This switch allows to select the operating mode AM or FM, in both TX and RX, if the desired operating mode is enabled by the programmed frequency band.

2. CH9 / CH19 Selector

This 3-position switch allows to select the emergency channels CH9 and CH19 in the programmed frequency band. If the switch is set to its center position, radio will operate on the normal selected channel.

3. TX Indicator

This red color LED indicator is lighted when radio is in the transmit mode.

4. RX Indicator

This green color LED indicator is lighted when radio is in the receive mode.

5. LED Display

The large size 3-digit LED display indicates the operating channel and the programmed frequency band code.

6. DN (Down) Key

This key allows to select the operating channel downward. By keeping this key pressed, the quick channel selection mode will be enabled.

7. UP (Up) Key

This key allows to select the operating channel upward. By keeping this key pressed, the quick channel selection mode will be enabled.

8. AS/SQUELCH Control

SQUELCH CONTROL (SQUELCH manual adjustment)

The SQUELCH control allows to silent the receiver by cutting the background noise, when no signals are received. Turn the knob clockwise until the background noise is cut. Turn the knob counter clockwise (SQUELCH opening) in order to listen to the weakest signals.

AS CONTROL (SQUELCH fixed setting)

The AS function allows to automatically silent the receiver, avoiding the SQUELCH manual adjustment. A fixed SQUELCH threshold is factory pre-set. To enable the fixed SQUELCH function, turn the knob fully counter clockwise to the AS position, until a click noise is heard.

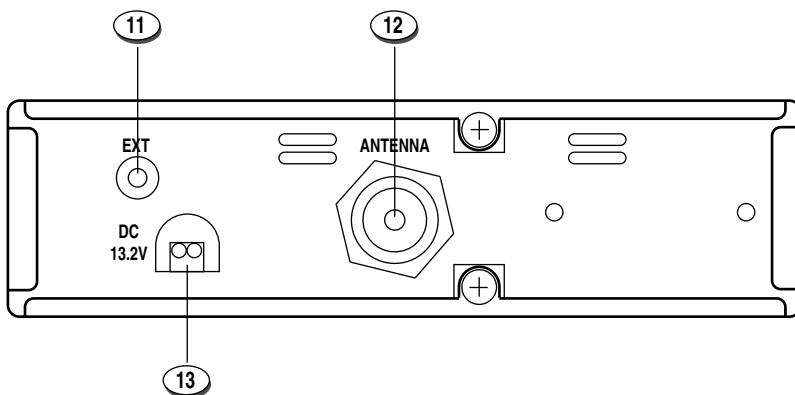
9. OFF / VOLUME Control

Use this knob to switch radio ON and OFF, as well as to adjust the receiver volume to the desired level. To adjust the receiver volume in case no signals are received on the operating channel, open the SQUELCH and then adjust the receiver volume using the background noise as a reference.

10. Microphone Connector

Connect the microphone to this connector and turn the connector ring to lock it.

Rear Panel



11. EXT (External Speaker) Jack

This jack is for connecting an external speaker (optional).

12. ANTENNA Connector

Antenna connector. Refer to the sections INSTALLATION OF THE ANTENNA and INSTALLING AND CONNECTING THE MOBILE ANTENNA WITH MAGNET BASE.

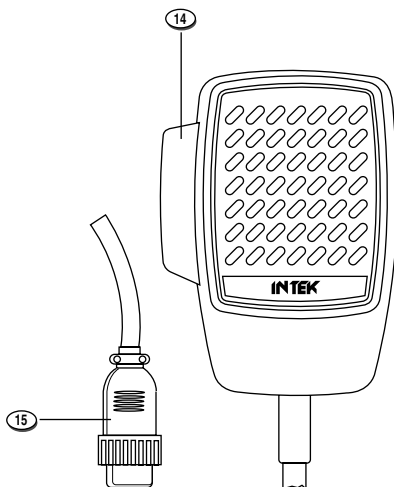
13. 13.2VDC POWER CORD

13.2VDC power cord input.

FULL KIT VERSION

The power cord is complete with lighter adaptor plug and fuse.

Microphone



14. PTT (Push-to-Talk) Key

Transmitter key. Press the PTT key to transmit and release it to return to the receive mode.

15. MICROPHONE Plug

4-pin microphone connector with locking ring. Connect it to the microphone connector on the front panel of the radio.

IMPORTANT !

Do never attempt to open the cabinet of the transceiver. No user serviceable parts inside. Internal modifications or tampering may cause damage to the product, modify its technical specifications and will void warranty rights. If service or repair are required, please go to an authorised service centre or specialized technician.

Installation

Before installing the main unit in the vehicle, check and select the most convenient location, in order that the radio will be easy to reach and comfortable to operate, without disturbing or interfering with the vehicle drive. Use the supplied bracket and hardware to install the radio. The bracket screws must be well tightened in order not to become loosen with the vehicle vibrations. The car mounting bracket can be installed over or below the radio and the radio may be inclined as desired according to the specific type of installation (under dashboard or track cabin roof installation).

Installation of the Main Unit

Before connecting the radio to the vehicle electric system, make sure that radio is switched off, with the OFF/VOLUME (9) knob completely turned counter clockwise at OFF position. The DC power cable (13) of the radio is complete with a fuse holder with fuse located on the red positive (+) wire. Connect the DC power cable to the vehicle electric system, with special attention to respect correct polarity, even if the radio is protected against polarity inversion. Connect the red wire to the positive (+) pole and the black wire to the negative (-) pole of the vehicle electric system. Make sure that the wires and terminals are firmly and stably connected, in order to prevent cables from disconnecting or causing short circuits.

FULL KIT VERSION

Connect the lighter adaptor plug (13) to the 12VDC socket of the vehicle. Fuse is located inside the lighter adaptor plug. To replace the fuse unscrew the cap of the plug, remove the fuse and the spring then reinstall all parts by first inserting the spring and then the new fuse.

Installation of the Antenna

A specific mobile antenna adjusted for 27 MHz frequency range must be used. The antenna installation must be done by a specialised technician or service centre. Please pay special attention to carefully install the antenna on the vehicle with perfect connection to ground. Before connecting the antenna to the radio, it is necessary to check the correct operation of the antenna with low standing wave ratio (S.W.R.), using adequate instruments. If not, the transmitter circuit of the radio could be damaged. The antenna must be usually installed on the highest part of the vehicle, free from obstacles and as far away as possible from any source of electric or electromagnetic noise. The RF antenna coaxial cable must not be damaged or pressed on its way between antenna and the radio. The correct operation of the antenna and the low standing wave ratio (S.W.R.) must be checked periodically. Connect the RF antenna coaxial cable to the antenna connector (12), located on the rear side of the radio.

Checking Operation of the Radio

Once radio has been connected to the vehicle electric system and to the antenna, the correct operation of the system may be checked. Please proceed as follows :

- 1) Check that the power cable is correctly connected.

FULL KIT VERSION

Check that power cord is correctly connected and that the lighter adaptor plug is correctly inserted in the 12VDC socket of the vehicle.

- 2) Check that the RF antenna coaxial cable is correctly connected.
- 3) Connect the microphone to the connector (10), located on the front side of the radio.
- 4) Rotate the AS/SQUELCH (8) knob counter clockwise.
- 5) Turn radio on using the OFF/VOLUME (9) knob and adjust volume to the desired level.
- 6) Select the desired channel, using the channel selector keys (6, 7).
- 7) Rotate the AS/SQUELCH (8) knob clockwise, to cut the background noise.
- 8) Press the PTT (14) key to transmit and release it to receive.

The transceiver will work correctly.

Installing and connecting the mobile antenna with magnet base

FULL KIT VERSION

Installing and connecting the mobile antenna with magnet base

A 27 MHz mobile antenna with magnet base and 4m RG-58/U is included in the kit. Connect the whip (A) to the magnet base and tighten the locking screw (B) using the supplied tool. Please pay attention to correctly placing the magnet antenna on the vehicle top. The magnet antenna must be firmly attached to the vehicle metal body. Connect the antenna connector (E) to the antenna outlet (12) located on the rear side of the radio. Before turning on and operating the radio, the correct performance of the antenna (S.W.R. ratio) must be checked with an S.W.R. meter. If necessary, adjust the length of the whip (A) until a correct S.W.R. ratio is reached. Otherwise the transmitter circuit of the radio might be damaged. Antenna must be usually placed on the highest part of the vehicle, free from nearby metal parts and as far as possible from any possible source of electric or electromagnetic noise. The antenna cable must not be damaged in its way to the radio.

Parts description

A. Whip

Steel whip with protective rubber cup.

B. Locking screw

Locking screw for adjusting and tightening the antenna whip, using the supplied tool.

C. Magnet base

Antenna magnet base to be placed on any iron or steel surface, with no need to drill any hole on the vehicle body.

D. RG-58/U Cable

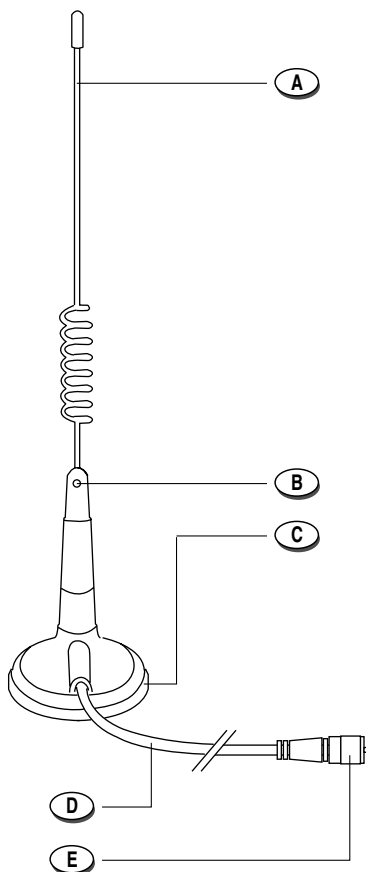
RG-58/U cable, 4m long.

E. RF Connector

PL-259 connector.

Connect to the antenna outlet (12), located on the rear side of the radio.

Warning ! Before turning on and operating radio, make sure that the connector (E) is correctly connected to the antenna outlet (12) located on the rear side of the radio.



Frequency bands table - User Information

Frequency Bands Table

The transceiver INTEK M-120 PLUS includes an advanced multi-standard programmable circuit, which allows to program different frequency bands, specifications and operating modes, in conformity with the regulations in the country where the product is used. 8 programmable frequency bands are available, as per the below table :

FREQUENCY BAND ID CODE	COUNTRY	SPECIFICATIONS (Channels, Operating Modes, TX Power)
E1	ITALY/SPAIN	40CH AM / FM 4W
I2	ITALY	36CH AM / FM 4W
dE	GERMANY	80CH FM 4W - 12CH AM 1W
d2	GERMANY	40CH FM 4W - 12CH AM 1W
EU	EUROPE/FRANCE	40CH FM 4W - 40CH AM 1W
CE	CEPT	40CH FM 4W
U	UK	40CH FM 4W UK FREQUENCIES 40CH FM 4W CEPT FREQUENCIES
PL	POLAND	40CH AM / FM 4W POLISH FREQUENCIES

Attention ! This radio has been factory pre-programmed on the **CE** frequency band (**CEPT 40CH FM 4W**), since this standard is currently accepted in all the European countries. Please refer to the information table at page I (Restrictions on the use of CB transceivers).

User Information

in accordance with art. 13 of the Legislative Decree of 25th July 2005, no. 15 "Implementation of Directives 2002/95/EC, 2002/96/EC and 2003/108/EC, relative to reduction of the use of hazardous substances in electrical and electronic equipment, in addition to waste disposal".



The crossed bin symbol shown on the equipment indicates that at the end of its working life the product must be collected separately from other waste.

The user must therefore take the above equipment to the appropriate differentiated collection centres for electronic and electro technical waste, or return it to the dealer when purchasing a new appliance of equivalent type, in a ratio of one to one.

Appropriate differentiated waste collection for subsequent recycling, treatment and environment-friendly disposal of the discarded equipment helps to prevent possible negative environmental and health effects and encourages recycling of the component materials of the equipment.

Illegal disposal of the product by the user will be punished by application of the administrative fines provided for by the legislative decree no. 22/1997 (article 50 and following of the legislative decree no. 22/1997).

Frequency Band Selection / Programming

This two-way CB radio must be programmed and exclusively used on a frequency band allowed in the country where the product is used. When radio is switched ON, the current programmed frequency band code will be displayed (blinking) for about 3 seconds. To program a different frequency band, proceed as follows :

- 1) Turn OFF the radio.
- 2) Press and keep pressed the UP key (7), then turn ON the radio using the OFF/VOLUME knob (9).
- 3) The current frequency band code will blink on the display (5).
- 4) Now select the new desired frequency band code by pressing the UP (7) or DN (6) key; during the frequency band selection process, the frequency band code will blink at a faster speed.
- 5) Press the PTT (14) key or wait for about 2 seconds to confirm and store the new selected frequency band code.

UK/CE CHANNELS SELECTION (FREQUENCY BAND "U")

If the frequency band "U" (UK band) has been selected, all channels can be scrolled using the channel keys. When a UK frequency channel will be selected the display (5) will show the channel number and the indication "U". When a CEPT frequency channel will be selected the display (5) will show the channel number and the indication "C".

Table of Restrictions on the Use of CB Transceivers (page I)

The following information are to be considered only just as an indication. They are believed to be correct at the time of printing this operating manual. It is however the user's responsibility to check that, in the country where radio is used, the regulations for the use of CB transceivers have not been modified. User is therefore suggested to contact the local dealer or local authority, in order to check the current regulations for the use of CB transceivers, before operating this product. The manufacturer does not take any responsibility if the product is used in violation of the regulations of the country where the product is used.

Addendum (Updated information on national restrictions)

BELGIUM, UK, SPAIN, SWITZERLAND

In order to use this transceiver in Belgium, UK, Spain and Switzerland, residence must have an individual licence. Users coming from abroad may freely use the radio in FM mode, while in order to use it in AM mode they must hold a licence released in their own country.

ITALY

Foreigners arriving in Italy must get an Italian authorization.

AUSTRIA

Austria does not allow using multi standard programmable CB radios. It is recommended to carefully follow this directives and not to use the product in the Austrian territory.

GERMANY

Along some border areas in Germany, the radio can not be used as a base station from channel 41 to channel 80. Refer to local authority (notification office) for details.

Specifications

General

Channels	40 FM (refer to the frequency bands table at page 7)
Frequency range	27 MHz Citizen Band
Frequency control	P.L.L.
Operatine temperature	-10°/+55°C
DC input voltage	13.2Vdc ±15%
Size	140 (L) x 37 (H) x 190 (D) mm
Weight	750 gr.

Receiver

System	Double conversion, CPU controlled super-eterodine
IF	1° 10.695 MHz / 2° 455 KHz
Sensitivity	0.5µV for 20dB SINAD (FM) 0.5µV for 20dB SINAD (AM)
Audio output	2.5W
Audio distorsion	<8% at 1 KHz
Image rejection	65dB
Adjacent channel	65dB
Signal/noise ratio	45dB
Current drain	325mA (stand-by)

Transmitter

System	CPU controlled P.L.L. synthesizer
Maximum RF power	4W at 13.2Vdc
Modulation	85% to 90% (AM) 1.8 KHz ±0.2 KHz (FM)
Impedance	50 ohm unbalanced
Current drain	1300mA (at no modulation)

Indice - Introduzione - Contenuto della confezione	10
Descrizione dei comandi e funzionamento	11-13
Installazione e collegamenti elettrici	14
Installazione dell' antenna con base magnetica (versione Full Kit)	15
Tabella bande di frequenza - Avviso agli utenti	16
Selezione / programmazione della banda di frequenza	17
Tabella delle restrizioni all' uso dei ricetrasmittitori CB	17
Caratteristiche tecniche	18
Tabella delle restrizioni all' uso dei ricetrasmittitori CB	I
Circuito stampato Main Board e Front Board	II-III
Schema elettrico	IV-V
Schema a blocchi	VI-VII

IMPORTANTE !

Prima di utilizzare la ricetrasmittente, verificare che la stessa sia programmata per operare sulle bande di frequenza e nei modi previsti dalle norme di legge in vigore nel paese in cui la radio viene utilizzata. Diversamente procedere alla modifica della programmazione, come indicato in questo manuale di istruzioni. La radio è pre-programmata all' origine sulla banda di frequenza europea CE (CEPT 40CH FM 4W).

Congratulazioni !

Congratulazioni per aver scelto ed acquistato un prodotto di qualità INTEK. Questo ricetrasmittitore dispone di numerose funzioni avanzate e vari dispositivi, pertanto è assolutamente necessario leggere attentamente questo manuale di istruzioni prima di utilizzare l' apparecchio. Con un uso corretto secondo quanto è indicato nel manuale di istruzioni, l' apparecchio garantirà un servizio senza problemi per molti anni. Ci impegnamo costantemente a fornire prodotti di qualità che rispondano alle vostre esigenze, ma siamo comunque sempre molto interessati a ricevere eventuali vostri commenti o suggerimenti su questo prodotto, che ci aiutino nel continuo miglioramento della qualità. INTEK M-120 PLUS è un ricetrasmittitore con caratteristiche tecniche di hardware e software molto avanzate e dispone di un circuito di tipo Multi Standard programmabile che consente di configurare i vari parametri dell' apparecchio (bande di frequenza, modi operativi, potenza del trasmettitore) in modo conforme alle norme di legge in vigore nei vari paesi della Comunità Europea. Pertanto questa ricetrasmittente può essere utilizzata in un qualsiasi paese della Comunità Europea. L' apparecchio viene consegnato pre-programmato sulla banda CE (CEPT 40CH FM 4W).

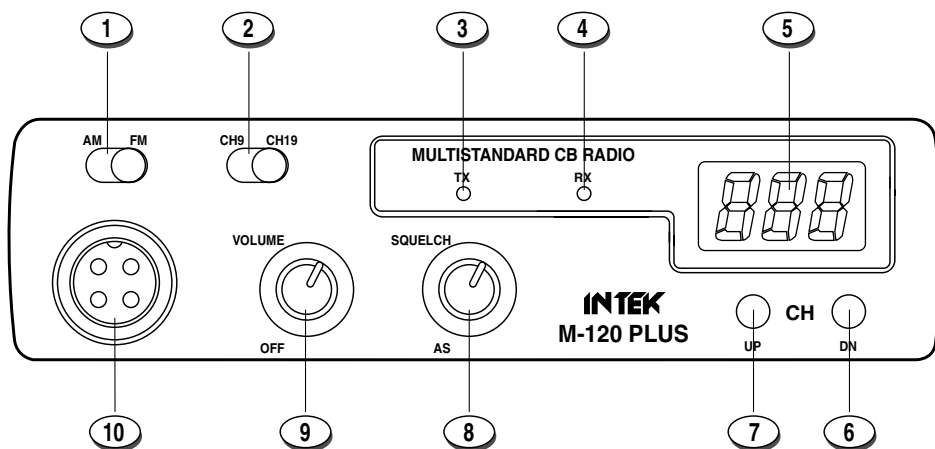
Contenuto della confezione

Verificare che le seguenti parti siano contenute nella confezione :

- ricetrasmittitore
- cavetto di alimentazione DC con porta fusibile e fusibile
- cavetto con presa accendisigari e fusibile (versione Full Kit)
- microfono a condensatore
- staffa di montaggio per veicolo
- accessori per montaggio staffa (viti, pomelli, ecc.)
- staffa di supporto per microfono
- antenna con base magnetica (versione Full Kit)
- manuale di istruzioni

Descrizione dei comandi e funzionamento

Pannello frontale



Italiano

1. Selettore AM/FM

Questo selettore consente di selezionare il modo operativo AM o FM, in TX e RX, se il modo scelto è abilitato dalla banda di frequenza programmata.

2. Selettore CH9 / CH19

Questo selettore a 3 posizioni consente di selezionare i canali di emergenza CH9 e CH19 della banda di frequenza selezionata. Nella posizione centrale vengono selezionati i normali canali operativi.

3. Indicatore TX

Questo indicatore LED luminoso di colore rosso è acceso quando il ricetrasmittente è in modalità trasmissione.

4. Indicatore RX

Questo indicatore LED luminoso di colore verde è acceso quando il ricetrasmittente è in modalità ricezione.

5. LED Display

Display a LED a 3-digit, indica il canale in uso o la banda selezionata.

6. Tasto DN

Questo tasto permette la selezione dei canali in ordine decrescente. Mantenendo premuto questo tasto, la selezione dei canali avverrà in modo rapido.

7. Tasto UP

Questo tasto permette la selezione dei canali in ordine crescente. Mantenendo premuto questo tasto, la selezione dei canali avverrà in modo rapido.

8. Manopola AS/SQUELCH

COMANDO SQUELCH (regolazione manuale SQUELCH)

Il comando SQUELCH permette di silenziare il ricevitore, eliminando il rumore (fruscio) di fondo in assenza di segnali. Ruotare la manopola in senso orario sino a quando scompare il rumore di fondo. Ruotare la manopola in senso antiorario (apertura dello SQUELCH) per ascoltare i segnali più deboli.

COMANDO AS (regolazione fissa SQUELCH)

E' disponibile la funzione AS per silenziare il ricevitore in modo automatico, senza eseguire la regolazione manuale dello SQUELCH. Una regolazione fissa dello SQUELCH è pre-impostata in origine. Per impostare la funzione AS, ruotare la manopola completamente in senso antiorario fino a farla scattare in posizione AS.

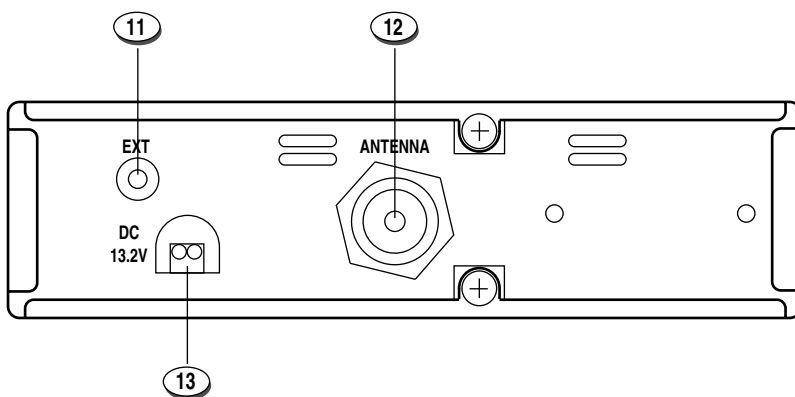
9. Manopola OFF / VOLUME

Manopola di accensione e spegnimento della radio. Permette la regolazione del volume di ascolto. In assenza di segnali sul canale in uso, si consiglia di aprire lo SQUELCH e quindi di regolare il volume al livello desiderato utilizzando come riferimento il rumore (fruscio) di fondo.

10. Presa per microfono

Collegare il microfono in dotazione a questa presa, bloccandolo tramite l' apposita ghiera.

Pannello posteriore



11. Presa EXT (External Speaker)

Preso per il collegamento di un altoparlante esterno (opzionale).

12. Connettore di antenna (SO-239)

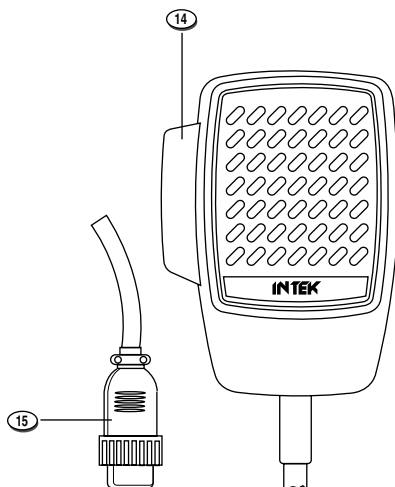
Preso per il collegamento dell' antenna. Vedi capitoli "installazione e collegamenti elettrici" e "installazione dell' antenna con base magnetica (versione Full Kit)".

13. Entrata POWER 13.2VDC

Entrata del cavetto di alimentazione DC in dotazione.

Nella versione FULL KIT, il cavetto di alimentazione è dotato di spinotto accendisigari con fusibile di protezione.

Microfono



14. Tasto PTT (Push-to-Talk)

Tasto di trasmissione. Premere per trasmettere e mantenere premuto durante la trasmissione e rilasciare per ritornare in modalità ricezione.

15. Connettore microfono

Connettore del microfono a 4 poli con ghiera di fissaggio, da collegarsi alla apposita presa (10) sul pannello frontale.

IMPORTANTE !

Non tentare mai di aprire il contenitore del ricetrasmittitore. All'interno dell'apparecchio non vi sono parti utili o utilizzabili dall'utente. Interventi o manomissioni del circuito interno della radio possono causare danni alla stessa o modificarne le caratteristiche tecniche ed inoltre violano e invalidano il diritto alla garanzia. In caso di interventi tecnici, rivolgersi esclusivamente ad tecnico o ad un centro di assistenza autorizzato.

Installazione del ricetrasmittitore

E' necessario verificare e localizzare sul veicolo la posizione più opportuna ove installare l' apparecchio, in modo che sia pratico e confortevole l' utilizzo dello stesso e che l' ubicazione del ricetrasmittitore non sia in nessun modo di ostacolo alla guida del veicolo. Per il montaggio del ricetrasmittitore, utilizzare la staffa e le viti in dotazione. Le viti di fissaggio della staffa devono essere ben serrate in modo che le vibrazioni del veicolo non possano allentarle. La staffa può essere montata sia sopra sia sotto l' apparecchio a seconda del tipo di installazione richiesto. Il ricetrasmittitore può anche essere inclinato e poi bloccato in posizione desiderata tramite i 2 pomelli di fissaggio in dotazione.

Collegamento elettrico del ricetrasmittitore

Prima di collegare l' apparecchio al circuito elettrico del veicolo, assicurarsi che il ricetrasmittitore sia spento, ovvero che la manopola OFF/VOLUME (9) sia girata completamente in senso antiorario in posizione OFF. Il cavetto di alimentazione (13) del ricetrasmittitore è completo di porta-fusibile con fusibile di protezione posto sul cavo rosso del positivo (+). Collegare il cavetto di alimentazione al circuito elettrico del veicolo, facendo molta attenzione nel rispettare la corretta polarità, anche se l' apparecchio è protetto contro le inversioni di polarità. Collegare il cavetto rosso al polo positivo (+) e il cavetto nero al polo negativo (-) del circuito elettrico del veicolo. Assicurarsi che il collegamento dei cavetti sia ben eseguito e che i terminali siano ben fissati, per evitare che essi si possano staccare o causare corto circuiti.

Nella versione FULL KIT inserire lo spinotto accendisigari (13) nell' apposita presa del veicolo. Il fusibile di protezione è posto all' interno dello spinotto stesso. Per sostituire il fusibile danneggiato, svitare il cappuccio dello spinotto, togliere il fusibile e la molla e rimontare il tutto, inserendo prima la molla e successivamente il nuovo fusibile.

Installazione e collegamento dell' antenna

Deve essere utilizzata un' antenna veicolare tarata sulle frequenze CB 27 MHz. L' installazione dell' antenna deve essere eseguita da un tecnico specializzato. La massima attenzione deve essere prestata nel montaggio dell' antenna sul veicolo e nel collegamento della stessa alla massa del veicolo. Prima del collegamento al ricetrasmittitore, è indispensabile che sia verificato il corretto funzionamento dell' antenna con basso livello di onde stazionarie (R.O.S.), tramite apposita strumentazione. In caso contrario, il circuito trasmittente dell' apparecchio potrebbe venire danneggiato. L' antenna deve essere normalmente montata sulla parte più alta del veicolo, libera da ostacoli e il più possibile distante da fonti di disturbo elettrico o elettromagnetico. Il cavetto coassiale RF dell' antenna non deve essere danneggiato o schiacciato nel percorso dall' antenna al ricetrasmittitore. La corretta funzionalità dell' antenna ed il basso rapporto di onde stazionarie (R.O.S.) devono essere controllati periodicamente. Collegare il cavo RF dell' antenna all' apposita presa di antenna (12), posta sul pannello posteriore della radio.

Controllo del funzionamento del ricetrasmittitore

Una volta eseguiti i collegamenti elettrici del cavo di alimentazione e dell' antenna, si può controllare il corretto funzionamento del sistema. Procedere come segue :

- 1) Controllare che sia correttamente collegato il cavetto di alimentazione
Nella versione FULL KIT controllare che sia correttamente inserito lo spinotto accendisigari nell' apposita presa del veicolo.
- 2) Controllare che sia correttamente collegato il cavetto coassiale RF dell' antenna.
- 3) Collegare il microfono all' apposita presa (10), posta sul pannello frontale della radio.
- 4) Ruotare il comando AS/SQUELCH (8) in senso antiorario a inizio corsa.
- 5) Accendere l' apparecchio tramite la manopola OFF/VOLUME (9) e regolare il volume di ascolto al livello desiderato.
- 6) Selezionare il canale desiderato, tramite i tasti di selezione dei canali (6 e 7).
- 7) Ruotare il comando AS/SQUELCH (8) in senso orario, per eliminare il rumore di fondo.
- 8) Premere il tasto PTT (14) per trasmettere e quindi rilasciarlo per ricevere.

Il ricetrasmittitore dovrà funzionare correttamente.

VERSIONE FULL KIT

Installazione e collegamento dell' antenna con base magnetica

La versione Full Kit include un' antenna a 27 MHz con base magnetica, dotata di 4 mt. di cavo coassiale RG-58/U. Inserire lo stilo (A) nella base magnetica e stringere la vite di fissaggio (B) utilizzando la chiave a brugola in dotazione. La massima attenzione deve essere prestata nel posizionamento dell' antenna sul veicolo. Assicurarsi che l' antenna sia fissata con la massima aderenza al piano metallico. Collegare il connettore (E) dell' antenna all' apposita presa di antenna (12), posta sul pannello posteriore della radio. Prima di utilizzare il ricetrasmittitore, è importante che sia verificato il corretto funzionamento dell' antenna con basso livello di onde stazionarie (R.O.S.), tramite apposita strumentazione. Svitare leggermente la vite di fissaggio (B) e regolare l' altezza dello stilo (A) fino a raggiungere il corretto livello di onde stazionarie e stringere nuovamente la vite (B). In caso contrario, il circuito trasmittente dell' apparecchio potrebbe venire danneggiato. L' antenna deve essere normalmente montata sulla parte più alta del veicolo, libera da ostacoli e il più possibile distante da fonti di disturbo elettrico o elettromagnetico. Il cavetto coassiale RF dell' antenna (D) non deve essere danneggiato o schiacciato nel percorso dall' antenna al ricetrasmittitore.

Descrizione delle parti

A. Stilo

Stilo in acciaio inox nero con cappuccio protettivo.

B. Vite di fissaggio

Vite per il fissaggio e la regolazione dello stilo, tramite la chiave a brugola in dotazione.

C. Base magnetica

Base magnetica per il fissaggio dell' antenna su superfici metalliche, senza bisogno di effettuare alcun foro.

D. Cavo RG-58/U

Cavo coassiale RG-58/U, lunghezza 4 mt.

E. Connettore

Connettore PL-259.

Avvitare all' apposita presa (12), posta sul pannello posteriore della radio.

Attenzione ! Prima di accendere il ricetrasmittitore, assicurarsi che il connettore (E) dell' antenna sia correttamente fissato alla presa della radio (12).

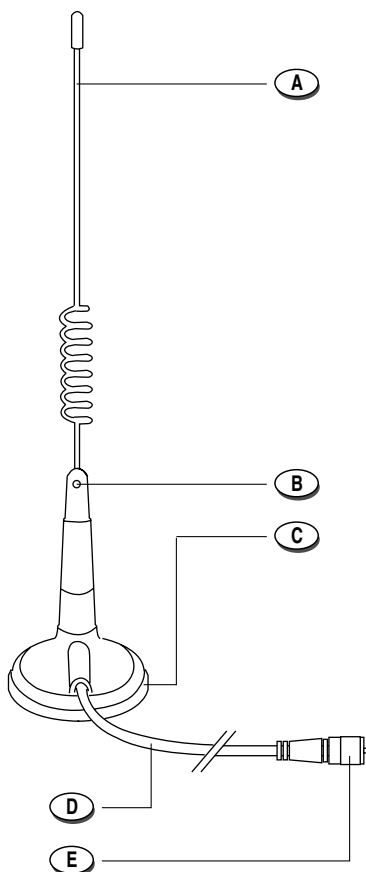


Tabella bande di frequenza - Avviso agli utenti

Tabella bande di frequenza

Il ricetrasmittitore INTEK M-120 PLUS dispone di un avanzato circuito multi-standard programmabile, che consente di programmare la banda di frequenza, i parametri e i modi operativi in conformità con le norme del paese in cui viene utilizzato l' apparecchio. Sono disponibili n. 8 bande programmabili, come dalla seguente tabella :

Italiano

CODICE BANDA DI FREQUENZA	PAESE	SPECIFICHE (Canali, modi operativi, potenza TX)
E1	ITALIA/SPAGNA	40CH AM / FM 4W
I2	ITALIA	36CH AM / FM 4W
dE	GERMANIA	80CH FM 4W - 12CH AM 1W
d2	GERMANIA	40CH FM 4W - 12CH AM 1W
EU	EUROPA/FRANCIA	40CH FM 4W - 40CH AM 1W
CE	CEPT	40CH FM 4W
U	INGHILTERRA	40CH FM 4W FREQUENZE UK 40CH FM 4W FREQUENZE CEPT
PL	POLONIA	40CH AM / FM 4W FREQUENZE POLACCHE

Attenzione ! Il ricetrasmittitore è stato pre-programmato all' origine sulla banda di frequenza con codice paese **CE (CEPT 40CH FM 4W)**, in quanto questo standard è attualmente riconosciuto in tutti i paesi europei. Vedere la tabella delle informazioni alla pag. I (Restrizioni all' uso dei ricetrasmittitori CB).

Avviso agli utenti

Ai sensi dell'art. 13 del decreto legislativo 25 luglio 2005, n. 15"Attuazione delle Direttive 2002/95/CE, 2002/96/CE e 2003/108/CE, relative alla riduzione dell'uso di sostanze pericolose nelle apparecchiature elettriche ed elettroniche, nonché allo smaltimento dei rifiuti".



Il simbolo del cassonetto barrato riportato sull'apparecchiatura indica che il prodotto alla fine della propria vita utile deve essere raccolto separatamente dagli altri rifiuti.

L'utente dovrà, pertanto, conferire l'apparecchiatura giunta a fine vita agli idonei centri di raccolta differenziata dei rifiuti elettronici ed elettrotecnici, oppure riconsegnarla al rivenditore al momento dell'acquisto di una nuova apparecchiatura di tipo equivalente, in ragione di uno a uno.

L'adeguata raccolta differenziata per l'avvio successivo dell'apparecchiatura dismessa al riciclaggio, al trattamento e allo smaltimento ambientalmente compatibile contribuisce ad evitare possibili effetti negativi sull'ambiente e sulla salute e favorisce il riciclo dei materiali di cui è composta l'apparecchiatura.

Lo smaltimento abusivo del prodotto da parte dell'utente comporta l'applicazione delle sanzioni amministrative di cui al dlgs. n. 22/1997" (articolo 50 e seguenti del dlgs. n. 22/1997).

Selezione / programmazione della banda di frequenza

Il ricetrasmittitore deve essere programmato e utilizzato esclusivamente su una banda di frequenza ammessa nel paese in cui viene utilizzato l' apparecchio. La banda pre-impostata viene visualizzata con un lampeggio della durata di 3 secondi all' accensione dell' apparecchio. E' possibile programmare una diversa banda di frequenza, eseguendo la seguente procedura :

- 1) Spegnerne il ricetrasmittitore.
- 2) Premere e mantenere premuto il tasto UP (7), quindi accendere il ricetrasmittitore, ruotando la manopola OFF/VOLUME (9).
- 3) Il codice di paese impostato lampeggia sul display (5).
- 4) Selezionare ora il nuovo codice di paese desiderato, premendo i tasti UP (7) o DN (6); la velocità del lampeggio sarà più rapida ad indicare la procedura di selezione.
- 5) Per confermare la selezione premere il tasto PTT (14) oppure attendere per circa 2 secondi.

SELEZIONE CANALI UK / CE (BANDA DI FREQUENZA U)

Se è stata programmata la banda di frequenza U (Gran Bretagna), per passare dalle frequenze UK alle frequenze CEPT e viceversa, scorrere tutti i 40 canali della banda in uso per passare da una banda all' altra. Sul display (5) comparirà l' indicazione **U** (frequenze UK) o **C** (frequenze CEPT) seguita dal numero del canale in uso.

Tabella delle restrizioni all' uso dei ricetrasmittitori CB (pag. 1)

Le seguenti informazioni sono date a solo titolo indicativo. Si ritiene che le stesse siano corrette al momento della stampa del presente manuale di istruzioni. E' tuttavia responsabilità dell' utilizzatore del ricetrasmittitore il verificare che, nel paese in cui viene utilizzato l' apparecchio, non siano state introdotte variazioni alle norme di legge che abbiano modificato le suddette restrizioni. Si consiglia quindi l' utilizzatore di consultare il proprio rivenditore di fiducia o l' autorità locale al fine di verificare con esattezza le norme di legge in vigore e le restrizioni all' uso per i ricetrasmittitori CB, prima di utilizzare il prodotto. Il produttore non assume alcuna responsabilità per l' uso del prodotto in modo non conforme a quanto è stabilito dalle norme di legge, vigenti nel paese in cui il prodotto è utilizzato.

Addendum (Aggiornamento sulle restrizioni nazionali)

BELGIO, GRAN BRETAGNA, SPAGNA, SVIZZERA

Per poter utilizzare questo ricetrasmittitore in Belgio, Gran Bretagna, Spagna e Svizzera, i residenti necessitano di una licenza individuale. Coloro che invece provengono dall' estero possono utilizzare liberamente l' apparecchio in modo FM, mentre per utilizzarlo in modo AM devono essere in possesso di una licenza rilasciata dal paese di origine.

ITALIA

Per gli stranieri che arrivano in Italia, è necessaria una autorizzazione italiana.

AUSTRIA

L' Austria non autorizza l' uso di ricetrasmittitori CB di tipo multi-standard (programmabili). Si consiglia di rispettare scrupolosamente questa direttiva e di non utilizzare l' apparecchio nel territorio austriaco.

GERMANIA

Lungo i confini di alcune zone della Germania, l' utilizzo del ricetrasmittitore come stazione base dal canale 41 al canale 80 non è ammesso. Rivolgersi all' autorità locale (ufficio notifiche) per ulteriori dettagli.

Caratteristiche tecniche

Generali

Canali	40 FM (vedere tabella bande di frequenza a pag. 16)
Gamma di frequenza	27 MHz Banda Cittadina
Controllo di frequenza	P.L.L.
Temperatura di lavoro	-10°/+55°C
Tensione di alimentazione	13.2Vdc \pm 15%
Dimensioni	140 (L) x 37 (A) x 190 (P) mm
Peso	750 gr.

Ricevitore

Sistema	Super-eterodina a doppia conversione, controllato da CPU
IF	1° 10.695 MHz / 2° 455 KHz
Sensibilità	0.5uV per 20dB SINAD (FM) 0.5uV per 20dB SINAD (AM)
Uscita audio	2.5W
Distorsione audio	<8% a 1 KHz
Reiezione alle immagini	65dB
Canale adiacente	65dB
Rapporto segnale/rumore	45dB
Consumo	325mA (stand-by)

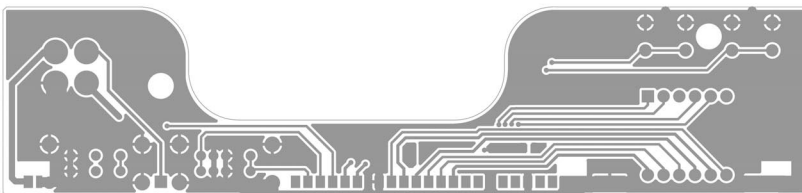
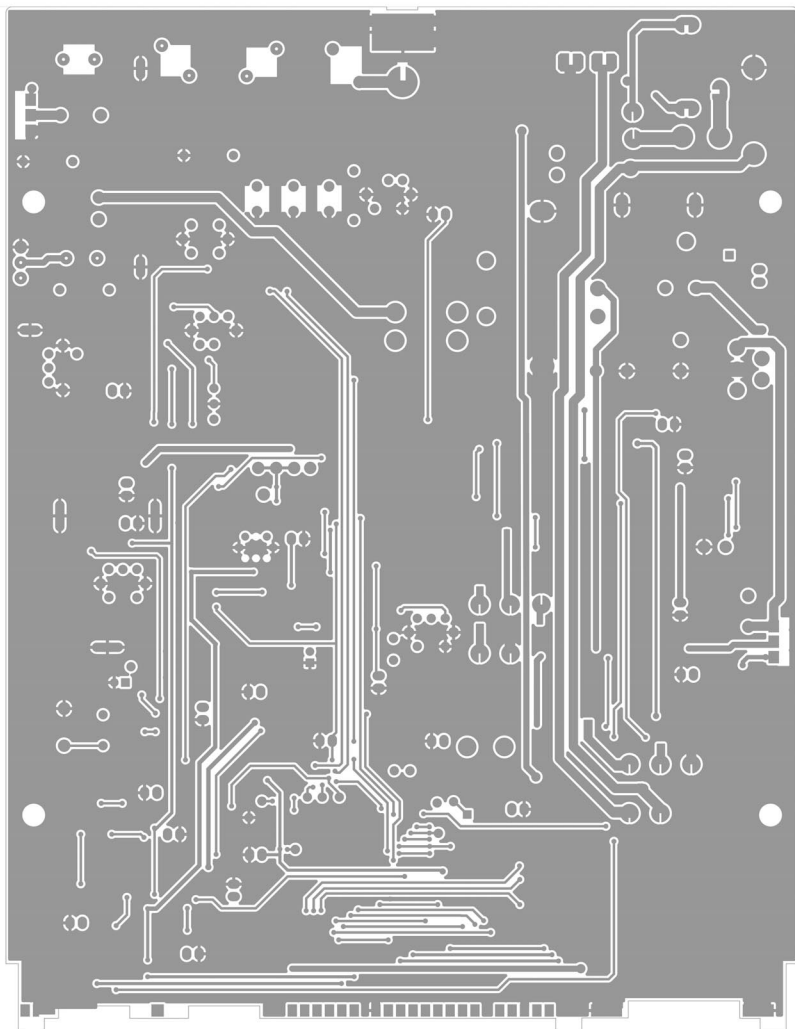
Trasmittitore

Sistema	Sintetizzatore P.L.L. controllato da CPU
Potenza RF massima	4W a 13.2Vdc
Modulazione	da 85% a 90% (AM) 1.8 KHz \pm 0.2 KHz (FM)
Impedenza	50 ohm sbilanciati
Consumo	1300mA (senza modulazione)

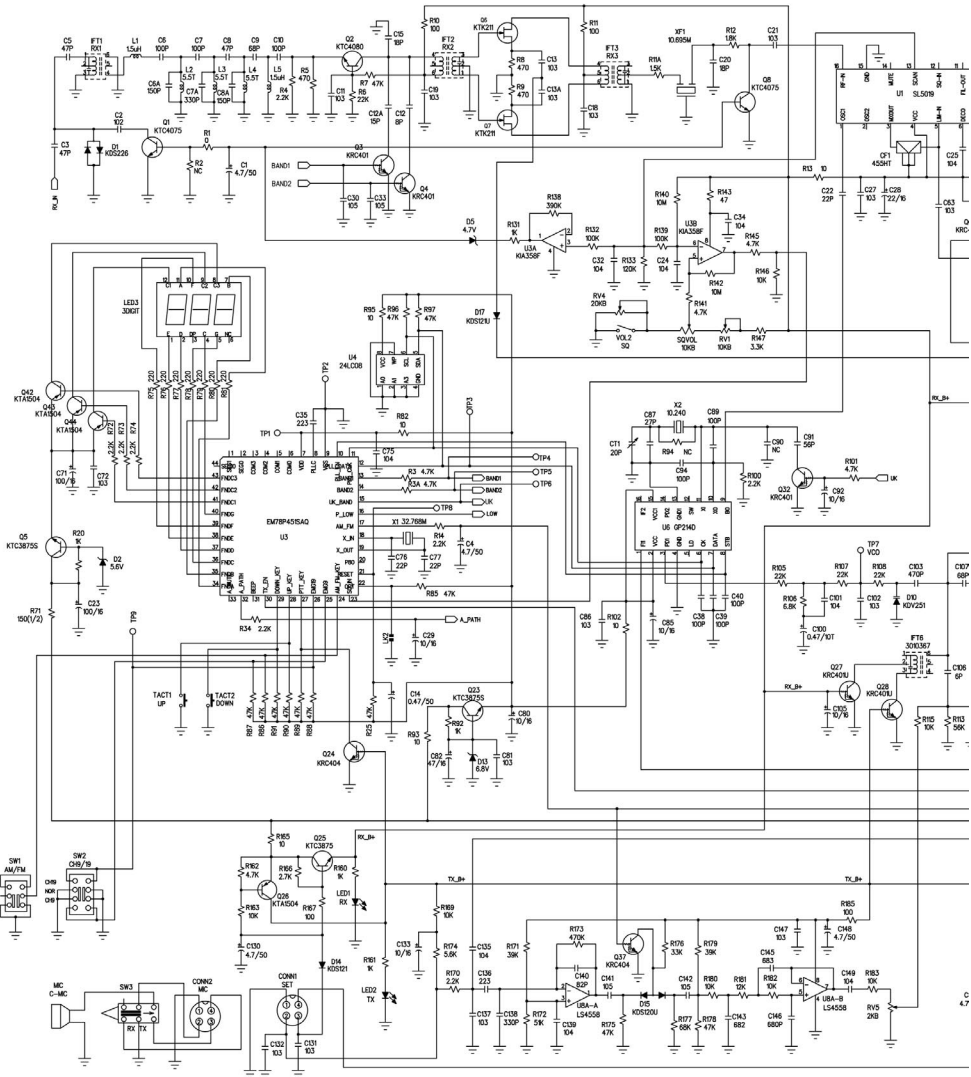
Table of restrictions on the use of CB transceivers

COUNTRY	CB Introd.	Use restrictions and other comments	Settings			
AUSTRIA	NO	Not allowed				
BELGIUM	YES	40 CH - 4W FM - Individual licence is required		EU	FR	CE
		40 CH - 1W AM - Individual licence is required				
DENMARK	YES	40 CH - 4W FM - Free use				CE
FINLAND	YES	40 CH - 4W FM - Free use		EU	FR	CE
		e 1W AM - Free use				
FRANCE	YES	40 CH - 4W FM - Free use		EU	FR	CE
		40 CH - 1W AM - Free use				
GERMANY	YES	80 CH - 4W FM - Free use (restrictions for use as a base station on channels 41-80 in some border areas)	DE			
		12 CH - 1W AM - Free use				
		40 CH - 1W AM Free use (only CH 4-15 allowed)		EU		
		40 CH - 4W FM - Free use	D2			CE
		12 CH - 1W AM - Free use REGTP Vfg41 issued on September 10, 2003				
GREECE	YES	40 CH - 4W FM - Free use		EU	FR	CE
		40 CH - 4W AM - Free use				
		T/R 20-02				
IRELAND	YES	40 CH - 4W FM - Free use	SP	EU	FR	10 CE
		40 CH - 4W AM - Free use				
		S.I. No 436 of 1998. WIRELESS TELEGRAPHY ACT, 1926 (SECTION3) (EXEMPTION OF CITIZENS' BAND (CB) RADIOS) ORDER, 1998				
ITALY	YES	40 CH - 4W FM - A Declaration to the Italian Ministry is required (art. 145 - dl 259 of 01/08/2003)	SP	EU	FR	10 CE
		40 CH 1W AM - A Declaration to the Italian Ministry is required (art. 145 - dl 259 of 01/08/2003)				
		34 CH - 4W FM, 1W AM (erp). Nota: AM mode allowed on CH1-CH23 only. General authorisation is required (art. 104 - dl259 of 01/08/2003)				12
		P.N.F. issued on DM 08.07.02 Notes: 49 A/B/C/D/E/G				
LUXEMBOURG	YES	40 CH - 4W FM - Free use. (Following frequencies are not allowed : 29.995, 27.045, 27.095, 27.145, 27.195 MHz)				CE
NORWAY	YES	40 CH - 4W FM - Free use				CE
NETHERLANDS	YES	40 CH - 4W FM - Free use		EU	FR	CE
		40 CH - 1W AM - Free use				
PORTUGAL	YES	40 CH - 4W FM - Individual licence is required		EU	FR	CE
		40 CH - 1W AM - Individual licence is required				
UNITED KINGDOM	YES	40 CH - 4W FM - Individual licence is required	UK			CE
		UK-RA-MPT 1382/MPT1320; UK-R&TTE -S.I.L. 2000:730				
SPAIN	YES	40 CH - 4W FM - Individual licence is required	SP	EU	FR	CE
		40 CH - 4W AM - Individual licence is required				
		Ministerial decree of 18th November 2002 issued by "Secretaría de Estado de Telecomunicaciones y para la Sociedad de la Información"				
SWEDEN	YES	40 CH - 4W FM - Free use		EU	FR	CE
		40 CH - 1W AM - Individual licence is required				
SWITZERLAND	YES	40 CH - 4W FM - Individual licence is required		EU	FR	CE
		40 CH - 1W AM - Individual licence is required				

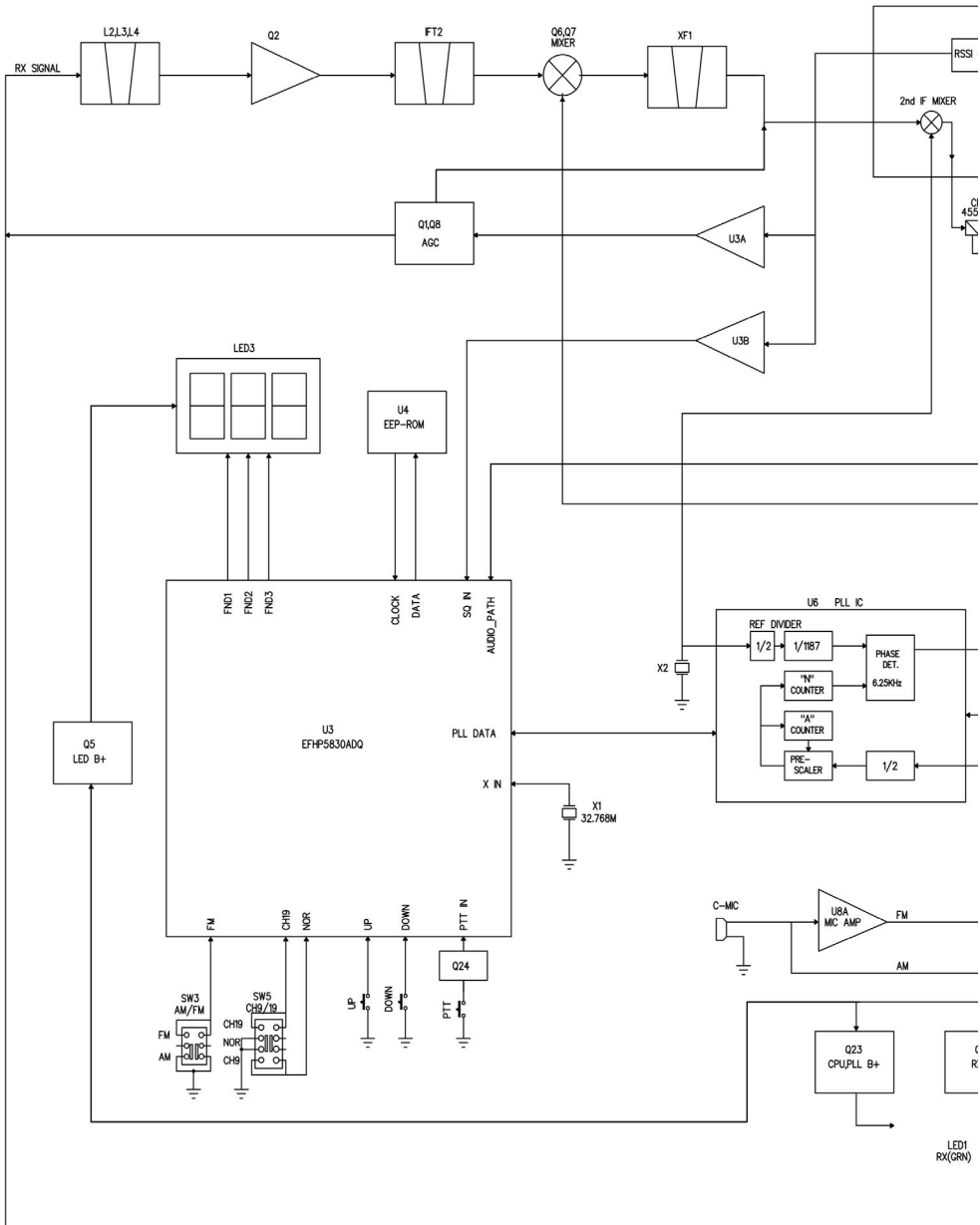
PCB - Main Board & Front Board



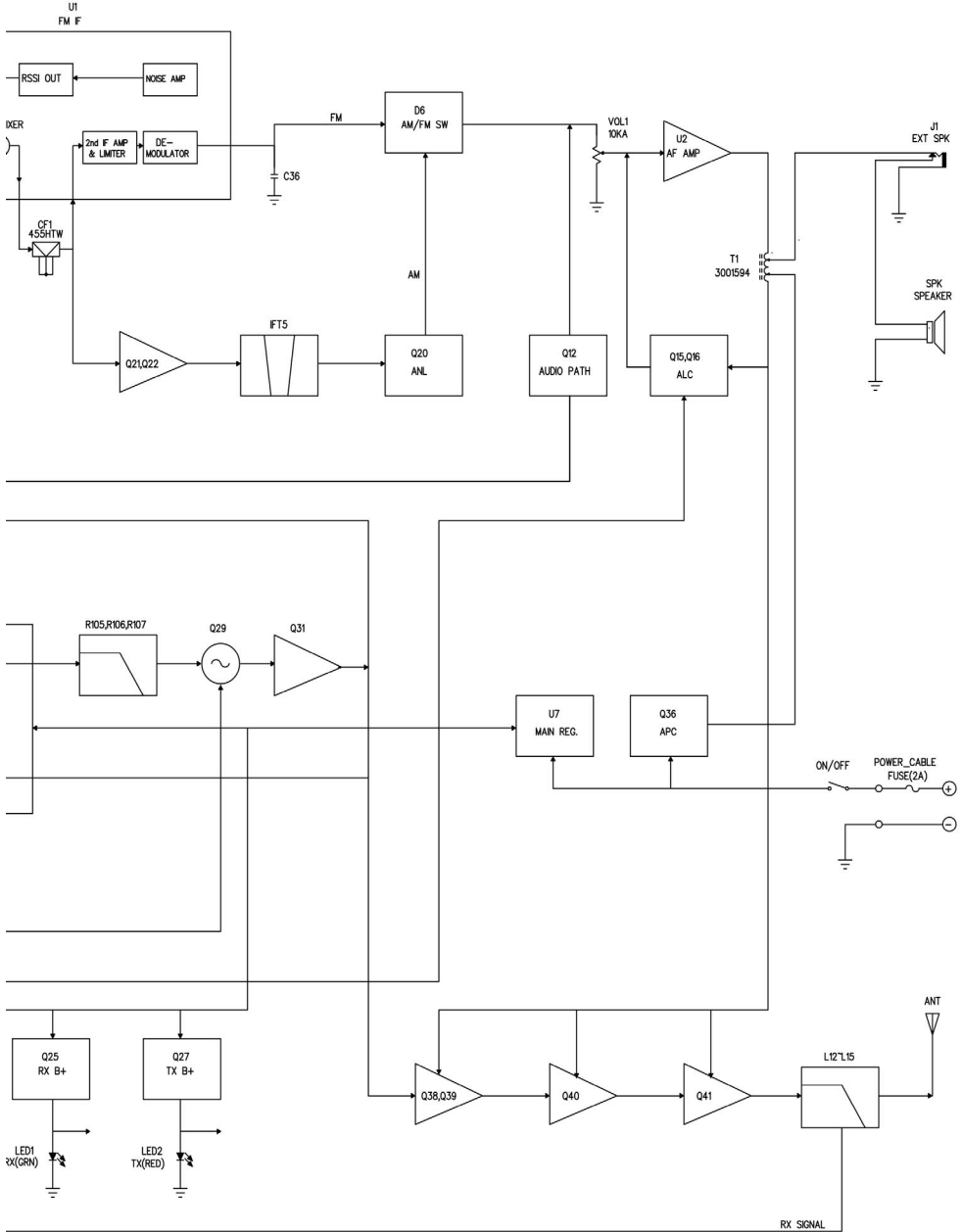
Diagram



Block Diagram



Block Diagram



INTEK[®]